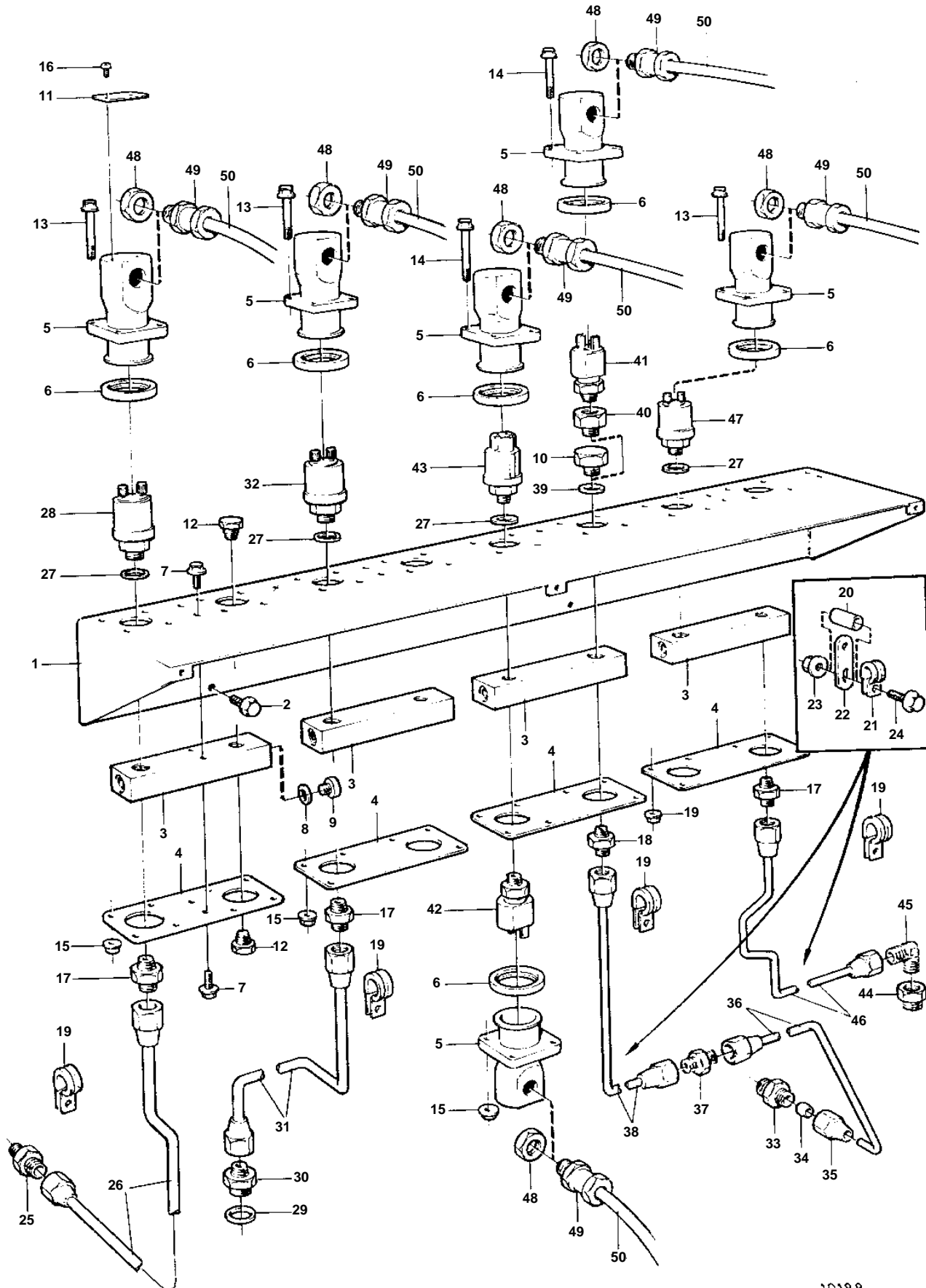


TAMD162A, TAMD162C, TAMD162C-B



10188

TAMD162A, TAMD162C, TAMD162C-B

REF	PART NO.	QTY	DESCRIPTION	NOTES
1		1	Bracket	
2	946440	8	Flange screw	L=16mm
3	849346	4	Collecting piece	
4	849671	4	Attaching plate	
5	849670	6	Protecting casing	
6	843584	6	Sealing ring	
7	967949	16	Screw	L=12mm
8	947282	8	Gasket	
9	966142	8	Plug	
10	960632	4	Plug	
11		6	Sign	
12	180759	6	Plug	
13	965180	16	Flange screw	L=60mm
14	965181	8	Screw	L=70mm
15	946036	20	Lock nut	
16	955113	12	Screw	
17	954336	3	Nipple	
18	954335	1	Fitting	Oil, engine.
19	942400	X	Clamp	
20	830674	1	Spacer sleeve	FOR MG516
21	952623	6	Clamp	
22	965534	4	Bracket	
23	945407	4	Flange nut	
24	946544	2	Flange screw	L=16mm
	940101	1	Screw	FOR MG516
25	190962	1	Nipple	Sea water
26	3826522	1	Pressure pipe	Sea water
27	11998	4	Gasket	
28	846311	1	Pressure sensor	0-2bar. Sea water
29	969011	1	Gasket	Fresh water.
30	948223	1	Nipple	Fresh water.
31	863281	1	Pressure pipe	Fresh water.
32	846311	1	Pressure sensor	Fresh water.
33	954378	1	Fitting	Oil, engine.
34	954364	1	Fitting	Oil, engine.
35	954356	1	Cap nut	Oil, engine.
36	863283	1	Pressure pipe	Oil, engine.
37	954328	1	Nipple	Oil, engine.
38	3826081	1	Pressure pipe	Oil, engine.
39	947624	1	Gasket	Oil, engine.
40	16381	1	Reduction nipple	Oil, engine.
41	864285	1	Pressure monitor	ALARM. Oil, engine.. Replaced by 1ea pressure monitor 873526 and 1ea cable 873601.
42	864284	1	Pressure monitor	STOP. Oil, engine.. Replaced by 1ea pressure monitor 863169 and 1ea cable 873601.
43	866835	1	Pressure sensor	Oil, engine.
	866836	1	Pressure sensor	For double steering positions.
44	942919	1	Nipple	Oil, reverse gear TD MG516.
45	954343	1	Elbow nipple	Oil, reverse gear TD MG516.
46	863285	1	Pressure pipe	Oil, reverse gear TD MG516.
47	866840	1	Pressure sensor, reverse gear	0-30bar. Oil, reverse gear TD MG516.
48	880244	6	Nut	
49	881191	6	Cable union	
50	862989	X	Cable	2x1,5sq.mm