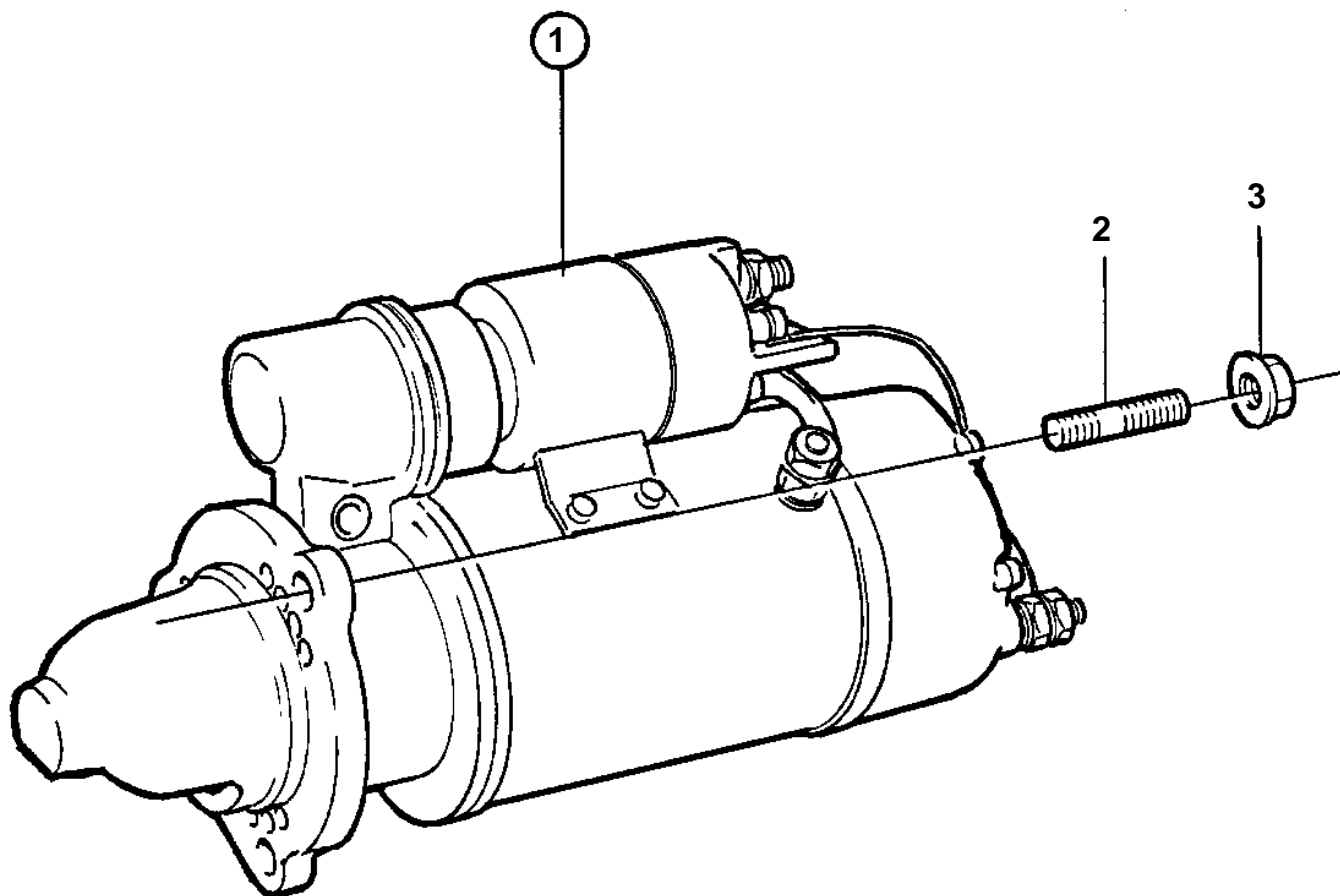


TAMD162A, TAMD162B, TAMD162C, TAMD162C-B



TAMD162A, TAMD162B, TAMD162C, TAMD162C-B

REF	PART NO.	QTY	DESCRIPTION	SEE SEC.
1	849988	1	Starter motor	1188
	872364	1	Starter motor	470
2	953098	3	Stud	
3	971096	3	Nut	

