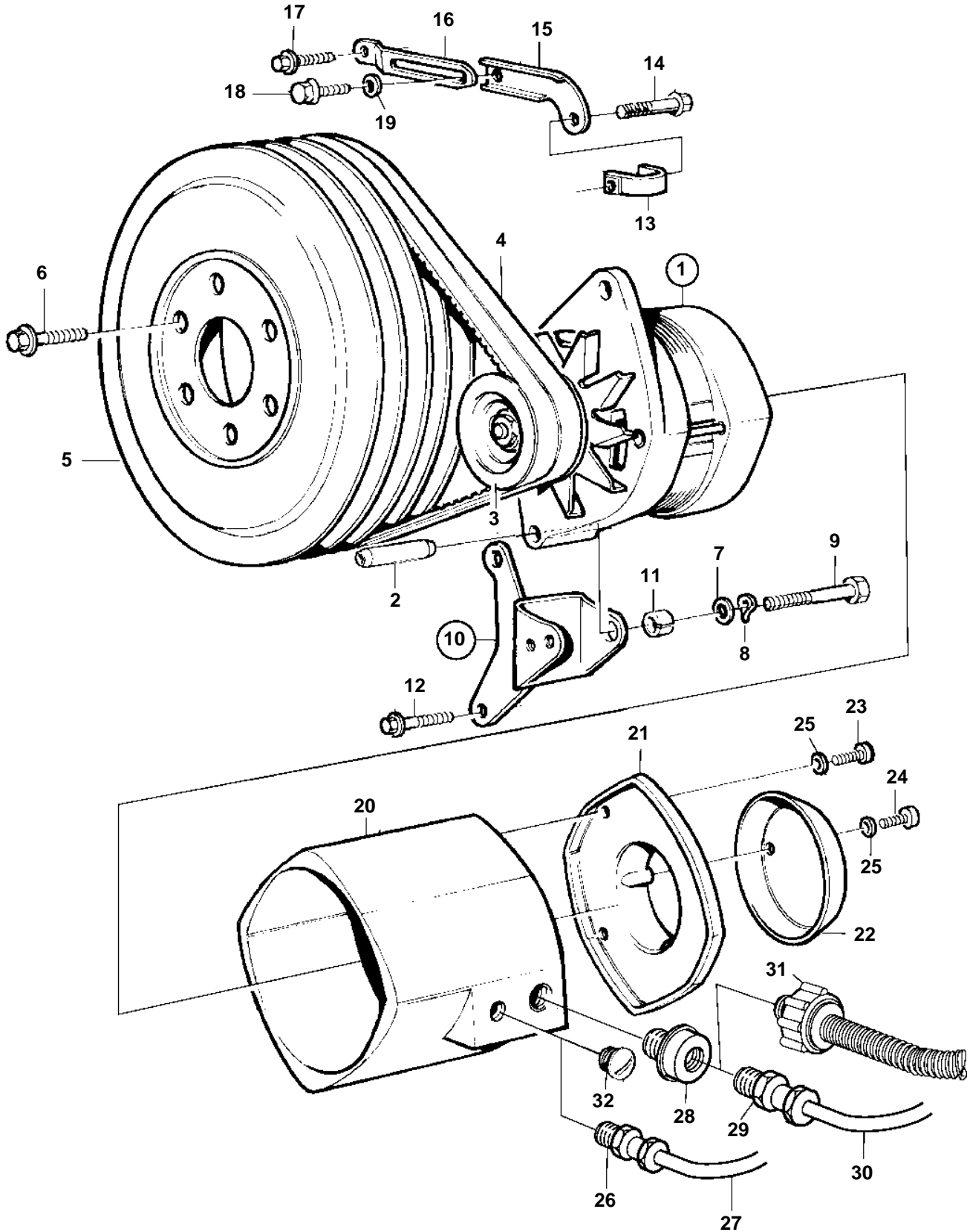


TAMD162A, TAMD162B, TAMD162C, TAMD162C-B



16379

TAMD162A, TAMD162B, TAMD162C, TAMD162C-B

REF	PART NO.	QTY	DESCRIPTION	SEE SEC.	NOTES
1	849563	1	Alternator, 28V 55A		REPL BY 863955
				1465	
	863955	1	Alternator, 28V 60A		SN-1101019500/XXXXX REPL BY 872021 + 1610144
			Bulletin 45-02A	45-02A-EN	Alternator
1				3819	
	872021	1	Alternator, 28V 60A		SN-1101038358/XXXXX REPL BY 873757
				3819	
	873757	1	Alternator		SN1101038359/XXXXX- REPL BY 873771
				3819	
	873771	1	Alternator		SN-XXXXXXXXXX/24064 E.U=3803443
	3803443	1	Alternator,exch		Exchange unit
				4169	
2	1610144	1	Pin		SN1101038359/XXXXX-. For replacement of alternator 849563 or 863955 to later production.
3	822573	1	Pulley		
4	976483	1	V-belt kit		
5	849113	1	Pulley		
6	946173	6	Flange screw		
7	955896	1	Washer		
8	941909	1	Spring washer		
9	955553	1	Screw, L=70mm		EARLY TYPE
	955554	1	Screw, L=76mm		LATE TYPE
10		1	Alternator bracket		EARLY TYPE. Replaced by 1pc alternator bracket 3825655 and 1pc screw 955554.
	3825655	1	Alternator bracket		LATE TYPE
11	831920	1	· Bushing		
12	947760	2	Flange screw		
13	466734	1	Tensioning eyelet		
14	947760	1	Flange screw		
15	847956	1	Tensioner		
16	849408	1	Tensioner		
17	946441	1	Screw		
18	946173	1	Flange screw		
19	976944	1	Washer		(966674)