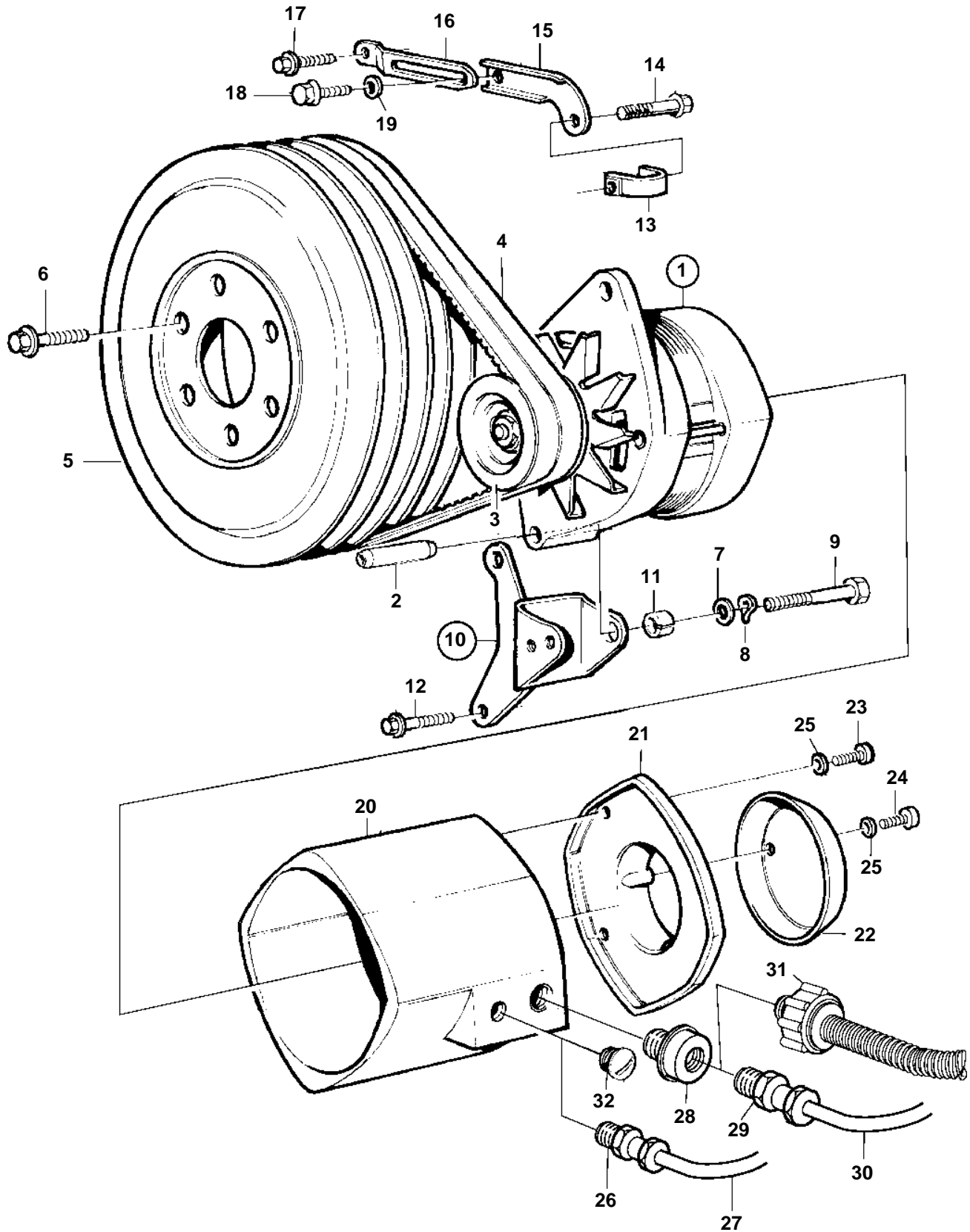


TAMD162A, TAMD162B, TAMD162C, TAMD162C-B



16379

TAMD162A, TAMD162B, TAMD162C, TAMD162C-B

| REF | PART NO. | QTY | DESCRIPTION | SEE SEC. | NOTES |
|-----|----------|-----|---------------------|-------------------|--|
| 1 | 849563 | 1 | Alternator, 28V 55A | | REPL BY 863955 |
| | | | | 1465 | |
| | 863955 | 1 | Alternator, 28V 60A | | SN-1101019500/XXXXX REPL BY 872021 + 1610144 |
| | | | Bulletin 45-02A | 45-02A-EN 3819 | Alternator |
| 1 | | | | | |
| | 872021 | 1 | Alternator, 28V 60A | | SN-1101038358/XXXXX REPL BY 873757 |
| | | | | 3819 | |
| | 873757 | 1 | Alternator | | SN1101038359/XXXXX- REPL BY 873771 |
| | | | | 3819 | |
| | 873771 | 1 | Alternator | | SN-XXXXXXXXXX/24064 E.U=3803443 |
| | 3803443 | 1 | Alternator,exch | | Exchange unit |
| | | | | 4169 | |
| 2 | 1610144 | 1 | Pin | | SN1101038359/XXXXX-. For replacement of alternator 849563 or 863955 to later production. |
| 3 | 822573 | 1 | Pulley | | |
| 4 | 976483 | 1 | V-belt kit | | |
| 5 | 849113 | 1 | Pulley | | |
| 6 | 946173 | 6 | Flange screw | | |
| 7 | 955896 | 1 | Washer | | |
| 8 | 941909 | 1 | Spring washer | | |
| 9 | 955553 | 1 | Screw, L=70mm | | EARLY TYPE |
| | 955554 | 1 | Screw, L=76mm | | LATE TYPE |
| 10 | | 1 | Alternator bracket | | EARLY TYPE. Replaced by 1pc alternator bracket 3825655 and 1pc screw 955554. |
| | 3825655 | 1 | Alternator bracket | | LATE TYPE |
| 11 | 831920 | 1 | · Bushing | | |
| 12 | 947760 | 2 | Flange screw | | |
| 13 | 466734 | 1 | Tensioning eyelet | | |
| 14 | 947760 | 1 | Flange screw | | |
| 15 | 847956 | 1 | Tensioner | | |
| 16 | 849408 | 1 | Tensioner | | |
| 17 | 946441 | 1 | Screw | | |
| 18 | 946173 | 1 | Flange screw | | |
| 19 | 976944 | 1 | Washer | | (966674) |
| 20 | 845224 | 1 | Housing | | |
| 21 | 845225 | 1 | Cover | | |
| 22 | 845226 | 1 | Cover | | |
| 23 | 956065 | 4 | Screw | | |
| 24 | 956061 | 3 | Screw | | |
| 25 | 941904 | 7 | Spring washer | | |
| 26 | 844576 | 1 | Cable union | | SN-1101050167/XXXXX |
| 27 | 862990 | X | Cable, 3x4,0mm2 | | SN-1101050167/XXXXX |
| 28 | | 1 | Enlarging coupling | | SN-1101050167/XXXXX |
| | 872939 | 1 | Adapter | SO | SN1101050168/XXXXX- |
| 29 | 881194 | 1 | Cable union | | SN-1101050167/XXXXX |
| 30 | 846346 | X | Cable | | SN-1101050167/XXXXX. Replaced by cable harness 872679 and adapter 872939. |
| 31 | 872679 | 1 | Wiring harness | SO | SN1101050168/XXXXX- |
| 32 | | 1 | Plug | | SN1101050168/XXXXX- |