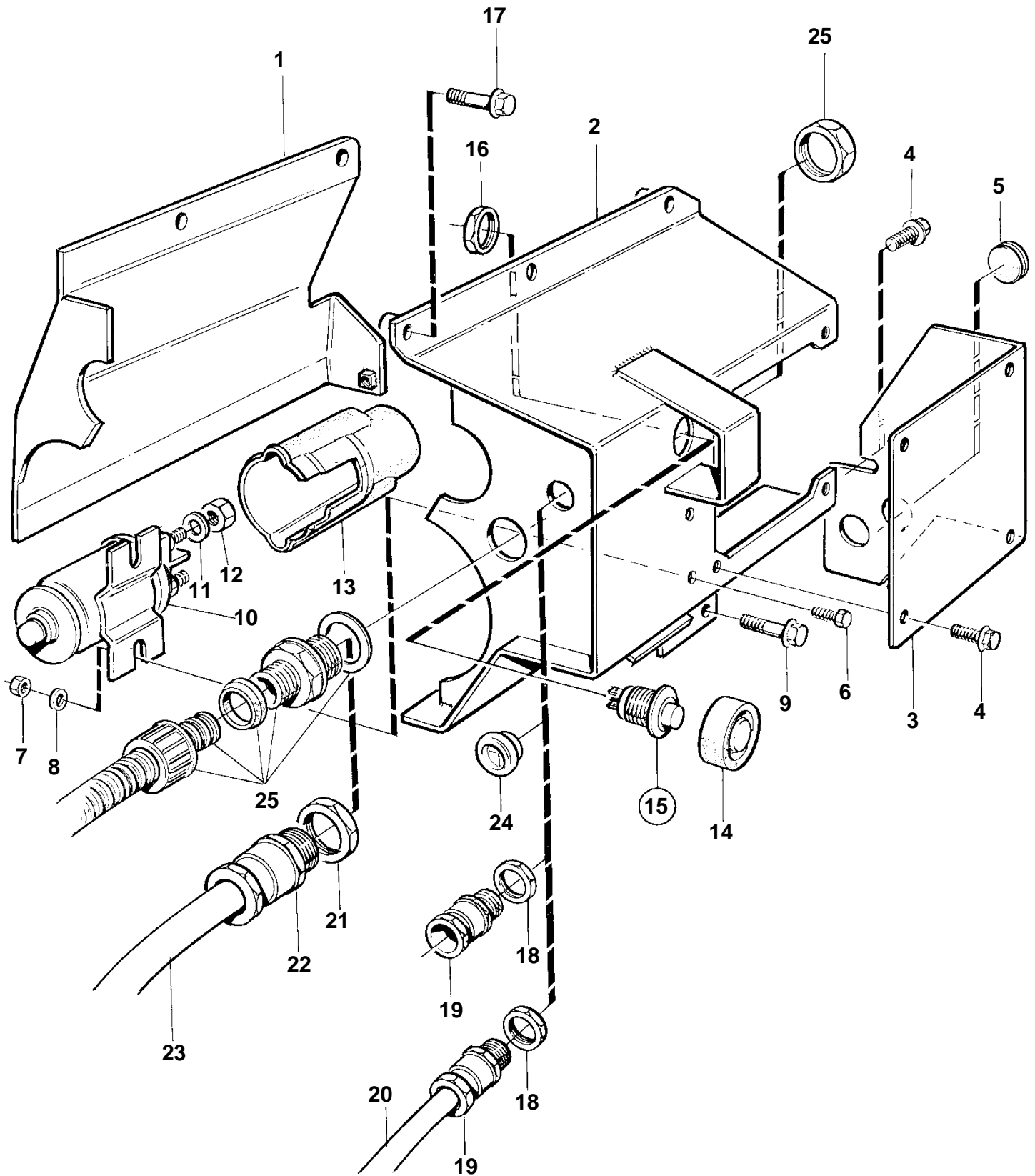


TAMD162A, TAMD162C, TAMD162C-B



16384

TAMD162A, TAMD162C, TAMD162C-B

REF	PART NO.	QTY	DESCRIPTION	NOTES
1	863147	1	Cover	SN-1101045954/XXXXX. Replaced by 1ea cover 865322.
	865322	1	Cover	SN1101045955/XXXXX-
2	862685	1	Cover	
3	863621	1	Cover	
4	965175	5	Screw	
5	941269	2	Cable grommet	
6	955244	2	Screw	
7	963104	2	Nut	
8	940090	2	Washer	
9	973924	2	Flange screw	
10	873962	1	Relay	(1088170)
11	941907	2	· Spring washer	
12	955782	2	· Nut	
13	1581123	1	Cover	
14	837533	1	Rubber cap	
15	843684	1	Button	
16		1	· Nut	
17	947760	3	Flange screw	
18	880244	1	Nut	
19	881191	1	Cable union	
20	862989	X	Cable, 2x1,5mm2	L=2900mm
21	1585467	1	Nut	SN-1101049881/XXXXX
22	881192	1	Cable union	SN-1101049881/XXXXX
23	862990	X	Cable, 3x4,0mm2	SN-1101049881/XXXXX
24	975996	1	Plug	SN1101049882/XXXXX-
25		1	Cable trunk	SN1101049882/XXXXX-