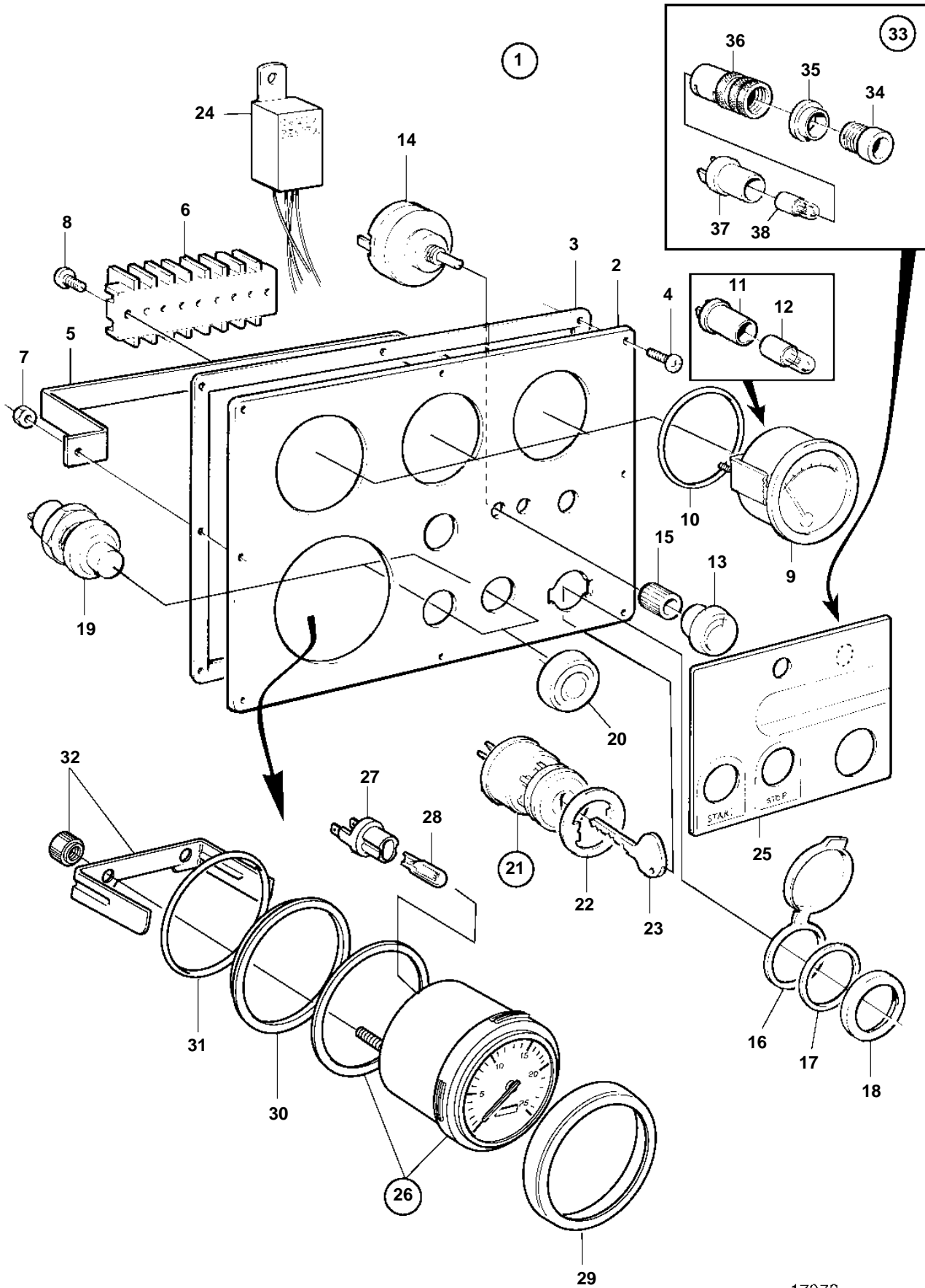


TAMD162A, TAMD162C, TAMD162C-B



## TAMD162A, TAMD162C, TAMD162C-B

REF	PART NO.	QTY	DESCRIPTION		NOTES
1	873809	1	Instrument panel		
2	862063	1	· Instrument plate		
3	862152	1	· Gasket		
4	862217	8	· Screw		
5	862198	1	· Brace		
6	862181	2	· Terminal block		
7	955779	2	· Nut		
8		4	· Screw		M4x14
9	862076	1	· Temperature gauge, coolant water		
	862079	1	· Temperature gauge, oil temperature engine		
	862082	1	· Pressure gauge, oil pressure-engine		
10		3	· · O-ring		
11	808175	3	· Bulb socket		
12	828818	3	· Bulb		
13	862180	1	· Knob		
14	1578846	1	· Rheostat		
15	843002	1	· Nut		
16	862151	1	· Protecting cover		
17		1	· Washer		
18	862466	1	· Round nut		
19	843684	2	· Button		
20	837533	2	· Rubber cap		
21	837437	1	· Starter switch		
22		1	· · Washer		
23	240321	2	· · Key, type S	SO	State key code when ordering.
	241383	2	· · Key, type E	SO	State key code when ordering.
24	864150	1	· Transformer		
25		1	· Decal		VOLVO PENTA
26		1	Rev counter kitincl hour-meter		REPL BY 873995
	873995	1	Rev counter kit, incl hour-meter		
27	863945	1	· Bulb socket		
28	863947	1	· Bulb		
29	873683	1	Front ring		
30	873721	1	Intermediate ring		
31	925256	1	O-ring		
32	873208	1	Retainer		
33	862819	1	Indicating lamp		Included in kit 873810, but will be mounted in the main instrument.
34		1	· Lens		BLUE
35		1	· Intermediate ring		
36	819350	1	· Sleeve		
37	808175	1	· Bulb socket		
38	828818	1	· Bulb		