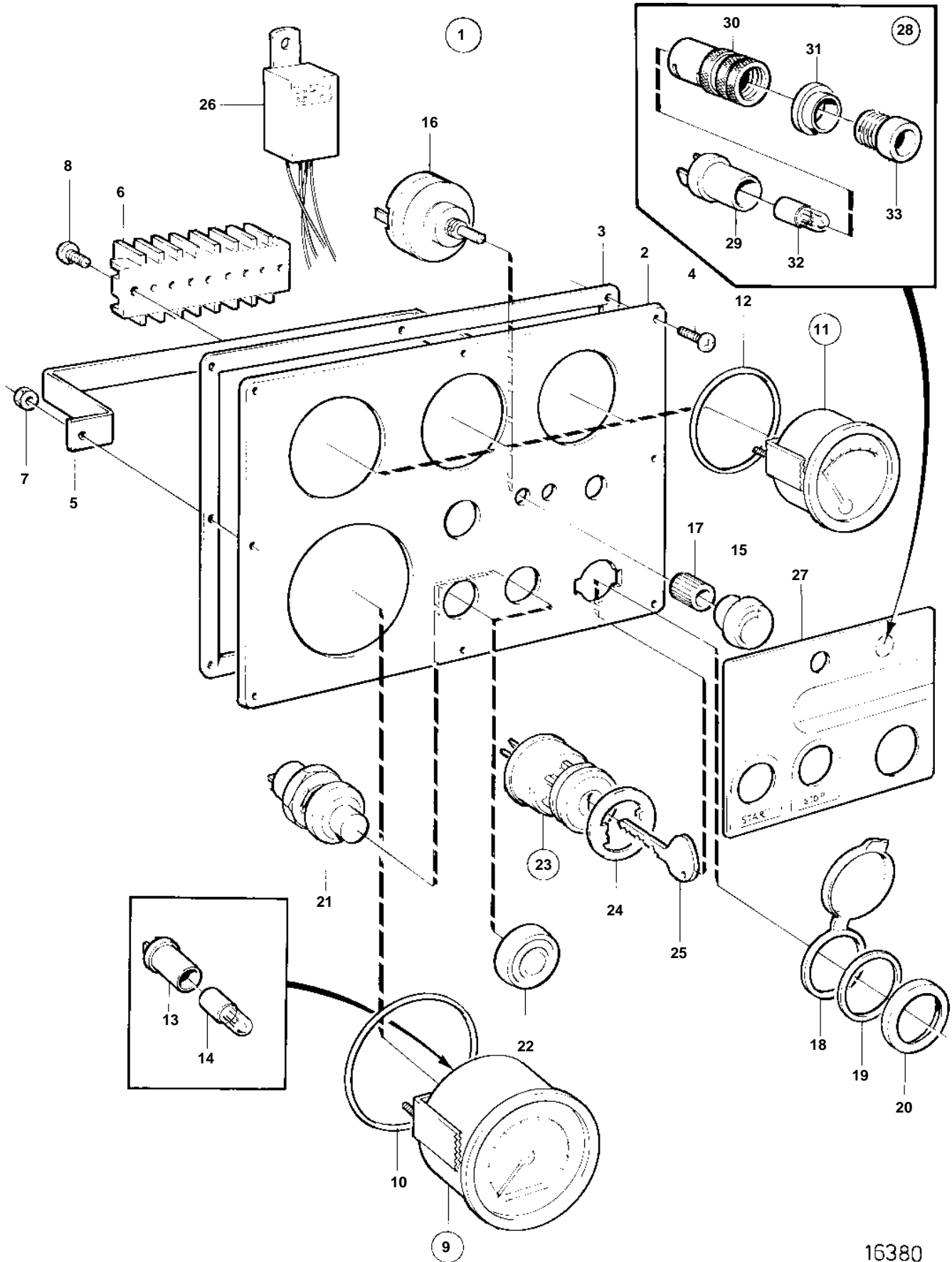


TAMD162A, TAMD162C, TAMD162C-B



TAMD162A, TAMD162C, TAMD162C-B

REF	PART NO.	QTY	DESCRIPTION	NOTES
1	873679	1	Instrument panel	REPL BY 873809
2	862063	1	• Instrument plate	
3	862152	1	• Gasket	
4	862217	8	• Screw	
5	862198	1	• Brace	
6	862181	2	• Terminal block	
7	955779	2	• Nut	
8		4	• Screw	M4x14
9	854916	1	• Tachometer, incl hour-meter	
10			• O-ring	
11	862076	1	• Temperature gauge, coolant water	
	862079	1	• Temperature gauge, oil temperature engine	
	862082	1	• Pressure gauge, oil pressure-engine	
12		3	• • O-ring	
13	808175	4	• Bulb socket	
14	828818	4	• Bulb	
15	862180	1	• Knob	
16	1578846	1	• Rheostat	
17	843002	1	• Nut	
18	862151	1	• Protecting cover	
19		1	• Washer	
20	862466	1	• Round nut	
21	843684	2	• Button	
22	837533	2	• Rubber cap	
23	837437	1	• Starter switch	
24		1	• • Washer	
25	240321	2	• • Key, type S	SO State key code when ordering.
	241383	2	• • Key, type E	SO State key code when ordering.
26	864150	1	• Transformer	
27		1	• Decal	VOLVO PENTA
28	862819	1	Indicating lamp	
29	808175	1	• Bulb socket	
30	819350	1	• Sleeve	
31		1	• Intermediate ring	
32	828818	1	• Bulb	
33		1	• Lens	GREEN