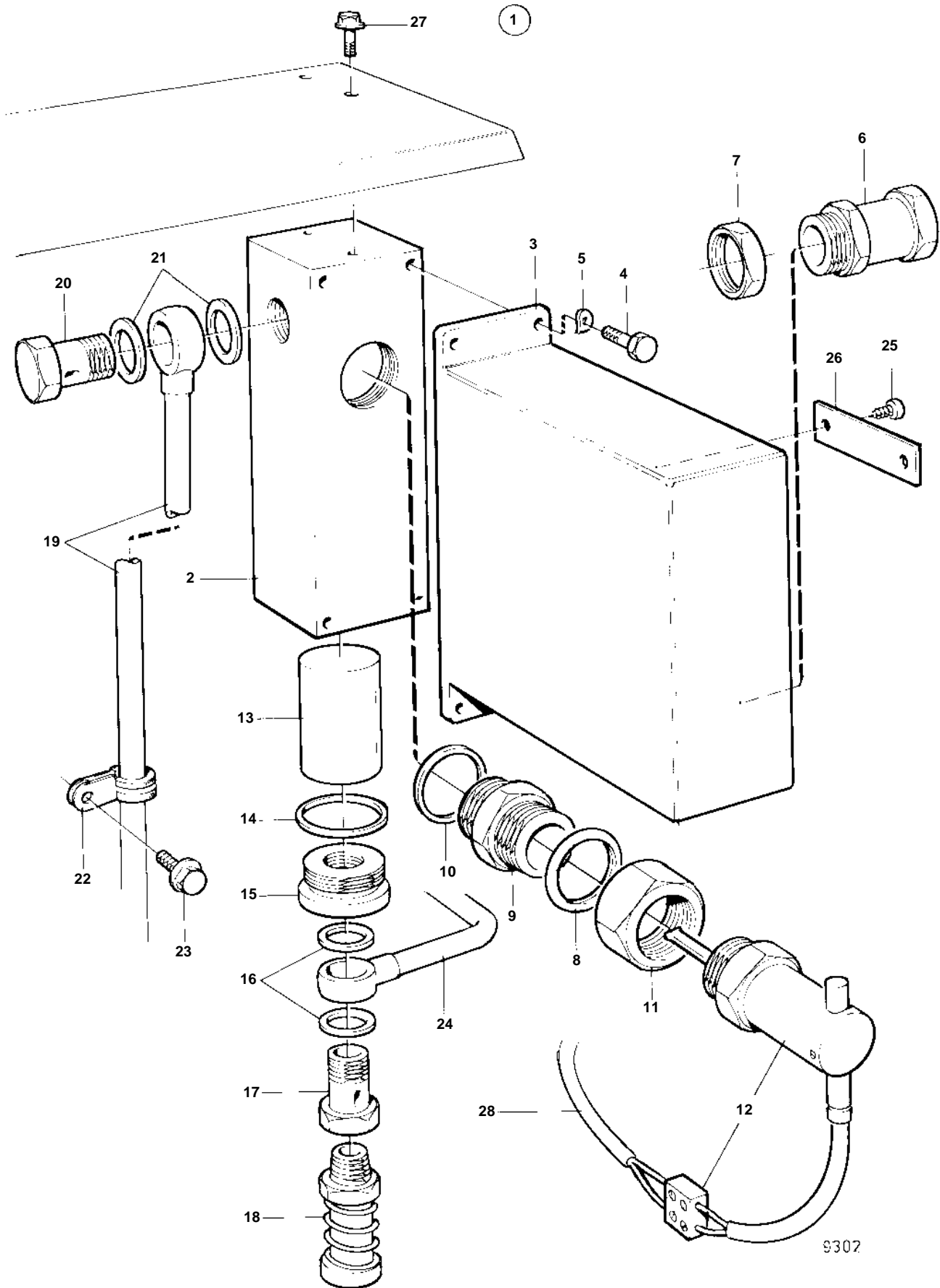


TAMD162A, TAMD162C, TAMD162C-B



TAMD162A, TAMD162C, TAMD162C-B

REF	PART NO.	QTY	DESCRIPTION	SEE SEC.	NOTES
1		1	Leak sensor		
2	849345	1	· Housing		
3		1	· Protection		
4	956060	4	· Screw		
5	941904	4	· Spring washer		
6	881191	1	· Cable union		
7	880244	1	· Nut		
8	15304	1	· Gasket		
9	843688	1	· Nipple		
10	957181	1	· Gasket		
11	843640	1	· Lock nut		
12	843757	1	· Flow sensor		
13	843815	1	· Float		
14	957191	1	· Gasket		
15	843639	1	· Plug		
16	957178	2	· Gasket		
17	823417	1	· Hollow screw		
18	844770	1	· Valve		
19	863555	1	Tube		
20	25167	1	Hollow screw		
21	957178	2	Gasket		
22	942400	1	Clamp		
23	946173	1	Flange screw, cover-oil sump		L=20mm
24	3826080	1	Fuel pipe	2286	
25	955113	2	Screw		
26		1	Sign		
27	967949	2	Screw		(965175)
28	862989	X	Cable, 2x1,5mm ²		L=2475mm
		X	Electrical materials	1963	