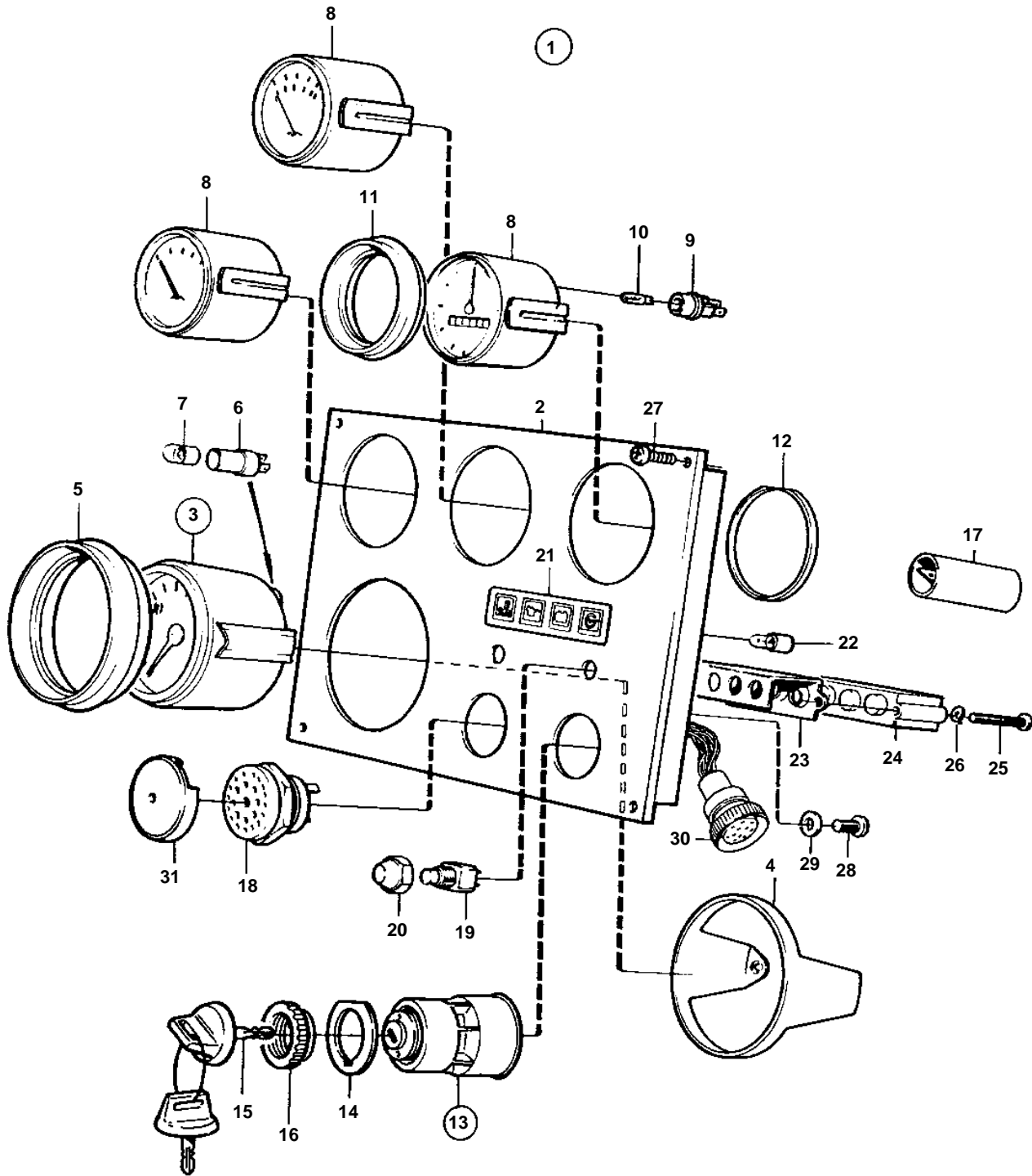


TAMD162A, TAMD162B, TAMD162C, TAMD162C-B



TAMD162A, TAMD162B, TAMD162C, TAMD162C-B

REF	PART NO.	QTY	DESCRIPTION	SEE SEC.	NOTES
1	864051	1	Instrument panel		
2	860182	1	· Instrument panel		
3	864028	1	· Tachometer		Replaced by 1ea tachometer 873995, 1ea front ring 873517 and 1ea brace kit 873208.
4	849523	1	· · Attaching ring		
5	858644	1	· Front ring		
6	808175	1	· Bulb socket		
7	182059	1	· Bulb		
8	873200	1	· Voltmeter		(863931)
	873198	1	· Oil pressure gauge		(863935)
	873196	1	· Temperature gauge		(863933)
9	863945	3	· · Bulb socket		
10	863947	3	· · Bulb		
11	858643	3	· Front ring		
12	828803	3	· Ring		
13	864277	1	· Starter switch		
14	860086	1	· · Marking label		
15	859956	2	· · Key blank		State key code when ordering.
16	859955	1	· · Plastic nut		
17	1578857	1	· · Diode		
18	828587	1	· Buzzer		
19	828584	1	· Switch		ALARM
	828585	1	· Switch		LIGHT
20	828586	2	· Nut		
21	858645	1	· Symbol strip		
22	828818	4	· Bulb		
23	828784	1	· Reflector		
24	873737	1	· Electronic unit		(828783)
25	941615	2	· Screw		
26	941904	2	· Spring washer		
27	828647	4	· Screw		
28	949947	1	· Screw		
29	941904	1	· Spring washer		
30	828646	1	· Cable trunk		
31	858795	1	· Protecting casing		
		X	Electrical materials	1963	