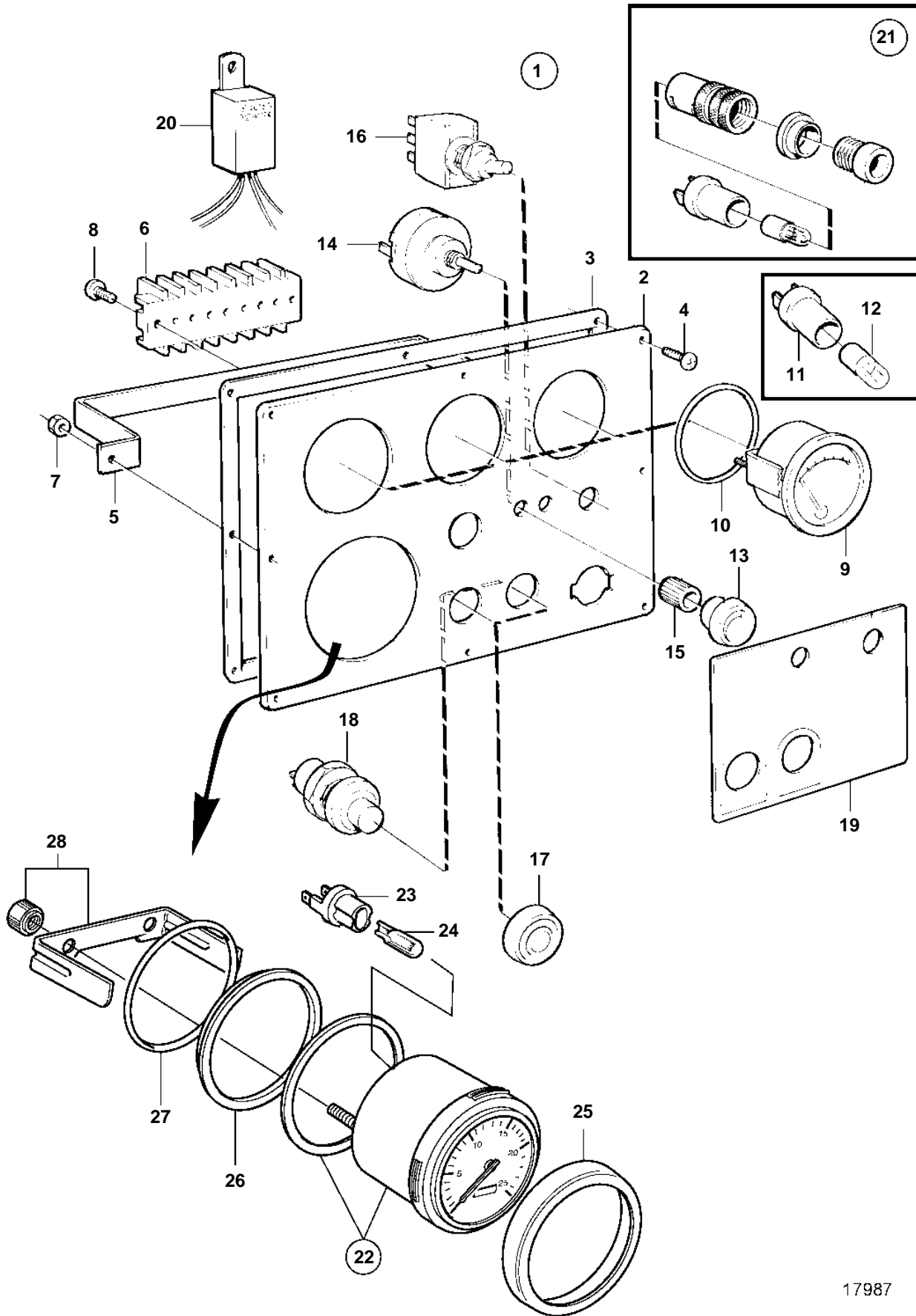


TAMD162A, TAMD162C, TAMD162C-B



17987

TAMD162A, TAMD162C, TAMD162C-B

REF	PART NO.	QTY	DESCRIPTION	SEE SEC.	NOTES
1	873810	1	Instrument panel		
2	862063	1	• Instrument plate		
3	862152	1	• Gasket		
4	862217	8	• Screw		
5	862198	1	• Brace		
6	862181	2	• Terminal block		
7	955779	2	• Nut		
8		4	• Screw		M4x14mm
9	862076	1	• Temperature gauge, coolant water		
	862079	1	• Temperature gauge, oil temperature engine		
	862082	1	• Pressure gauge, oil pressure-engine		
10		3	• • O-ring		
11	808175	4	• Bulb socket		
12	828818	4	• Bulb		
13	862180	1	• Knob		
14	1578846	1	• Rheostat		
15	843002	1	• Nut		
16	862853	1	• Switch		
17	837533	2	• Rubber cap		
18	843684	2	• Button		
19		1	• Decal		
20	864150	1	• Transformer		
21	862819	1	• Indicating lamp	4498	Included in kit 873810, but will be mounted in the main instrument.
22	873995	1	• Rev counter kit		
23	863945	1	• • Bulb socket		
24	863947	1	• • Bulb		
25	873683	1	• Front ring		
26	873721	1	• Intermediate ring		
27	925256	1	• O-ring		
28	873208	1	• Retainer		