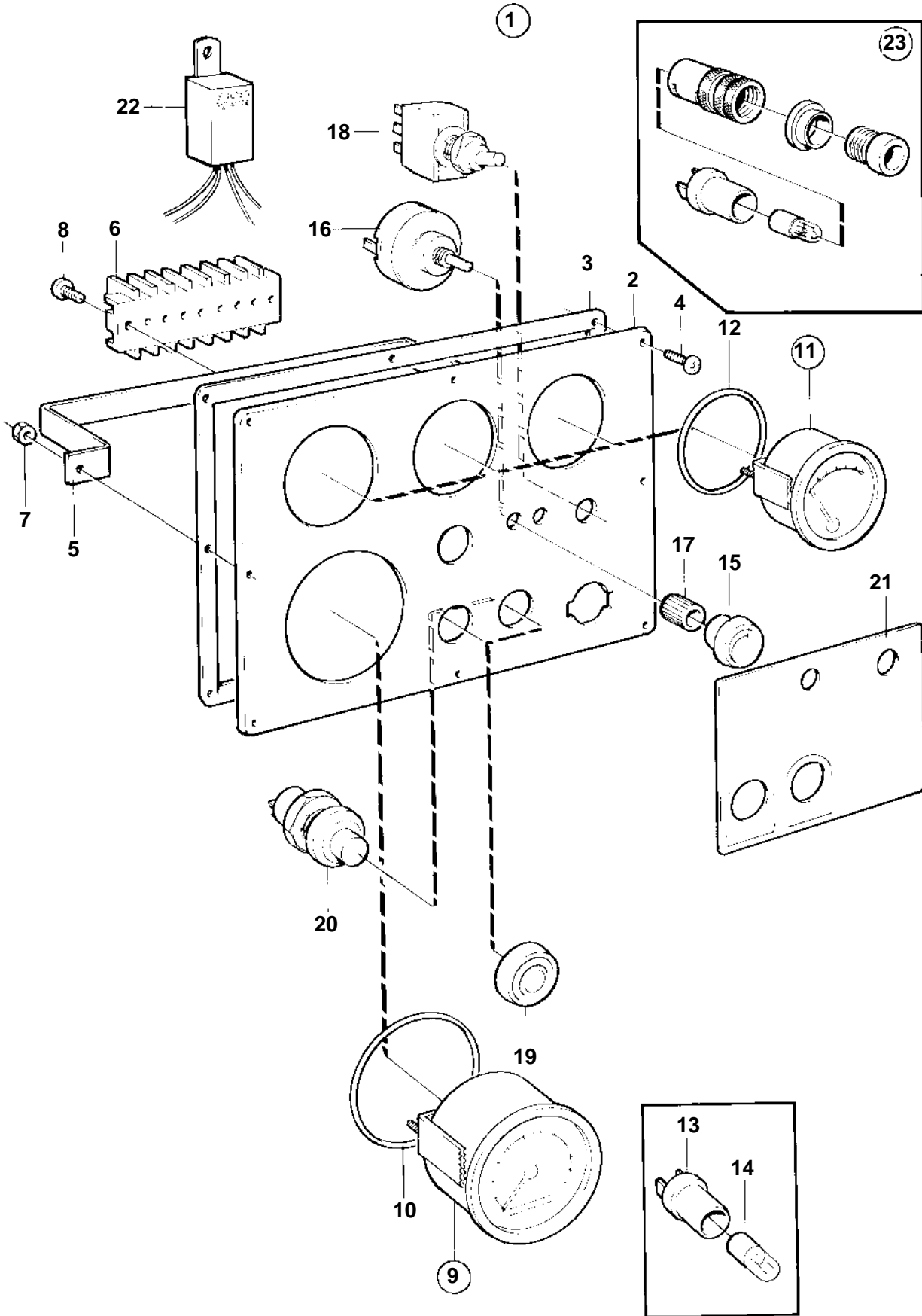


TAMD162A, TAMD162C, TAMD162C-B



## TAMD162A, TAMD162C, TAMD162C-B

REF	PART NO.	QTY	DESCRIPTION	SEE SEC.	NOTES
1	873680	1	Instrument panel		REPL BY 873810
2	862063	1	· Instrument plate		
3	862152	1	· Gasket		
4	862217	8	· Screw		
5	862198	1	· Brace		
6	862181	2	· Terminal block		
7	955779	2	· Nut		
8		4	· Screw		M4x14mm
9	872286	1	· Tachometer		
10		1	· · O-ring		
11	862076	1	· Temperature gauge, coolant water		
	862079	1	· Temperature gauge, oil temperature engine		
	862082	1	· Pressure gauge, oil pressure-engine		
12		3	· · O-ring		
13	808175	4	· Bulb socket		
14	828818	4	· Bulb		
15	862180	1	· Knob		
16	1578846	1	· Rheostat		
17	843002	1	· Nut		
18	862853	1	· Switch		
19	837533	2	· Rubber cap		
20	843684	2	· Button		
21		1	· Decal		
22	864150	1	· Transformer		
23	862819	1	· Indicating lamp	4497	Included in kit 873810, but will be mounted in the main instrument.