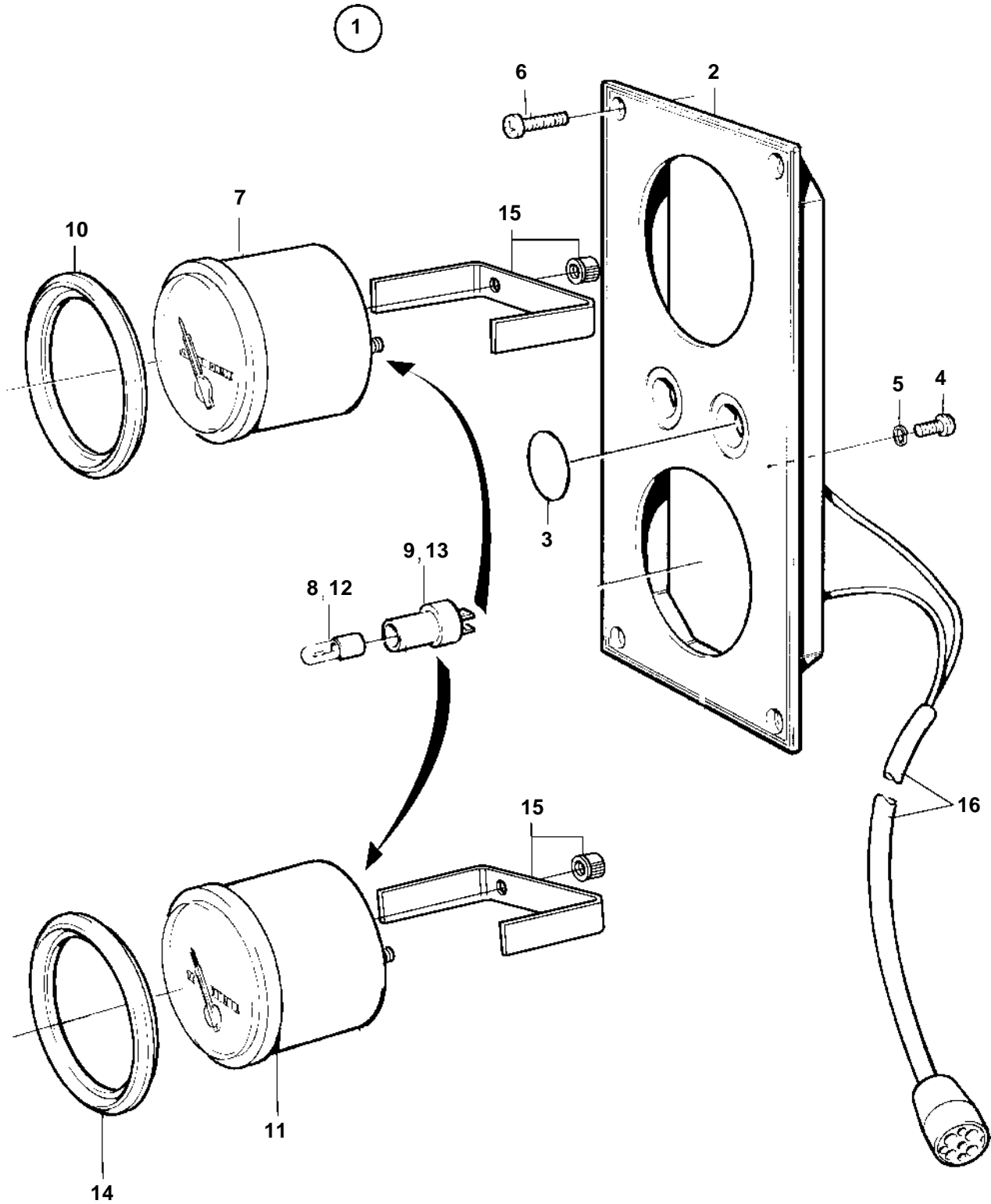


TAMD162A, TAMD162B, TAMD162C, TAMD162C-B



17963

TAMD162A, TAMD162B, TAMD162C, TAMD162C-B

REF	PART NO.	QTY	DESCRIPTION	SEE SEC.	NOTES
1	864053	1	Instrument panel		
2		1	· Instrument panel		
3	828607	2	· · Cover plate		
4	949947	1	· · Screw		
5	941904	1	· · Spring washer		
6	828647	4	· · Screw		
7	863937	1	· Oil pressure gauge		REPLACED BY 873202+873207
	873202	1	· Oil pressure gauge		
8	863947	1	· · Bulb		RED, 24V, 1,2W W2x4,6d. For instruments of early production should white bulb 182059 and bulb holder 808175 be mounted.. Withe bulb 943638 can be mounted in bulb socket 863945.
9	863945	1	· · Bulb socket		For instruments of early production should white bulb 182059 and bulb holder 808175 be mounted.
10	858643	1	· Front ring		
11	864018	1	· Pressure gauge		REPL BY 873206+873207
	873206	1	· Turbo pressure gauge		
12	863947	1	· · Bulb		RED, 24V, 1,2W W2x4,6d. For instruments of early production should white bulb 182059 and bulb holder 808175 be mounted.. Withe bulb 943638 can be mounted in bulb socket 863945.
13	863945	1	· · Bulb socket		For instruments of early production should white bulb 182059 and bulb holder 808175 be mounted.
14	858643	1	· Front ring		
15	873207	2	· Retainer		
16		1	· Cable trunk Electrical materials	1963	Turbocharge-reverse gear.