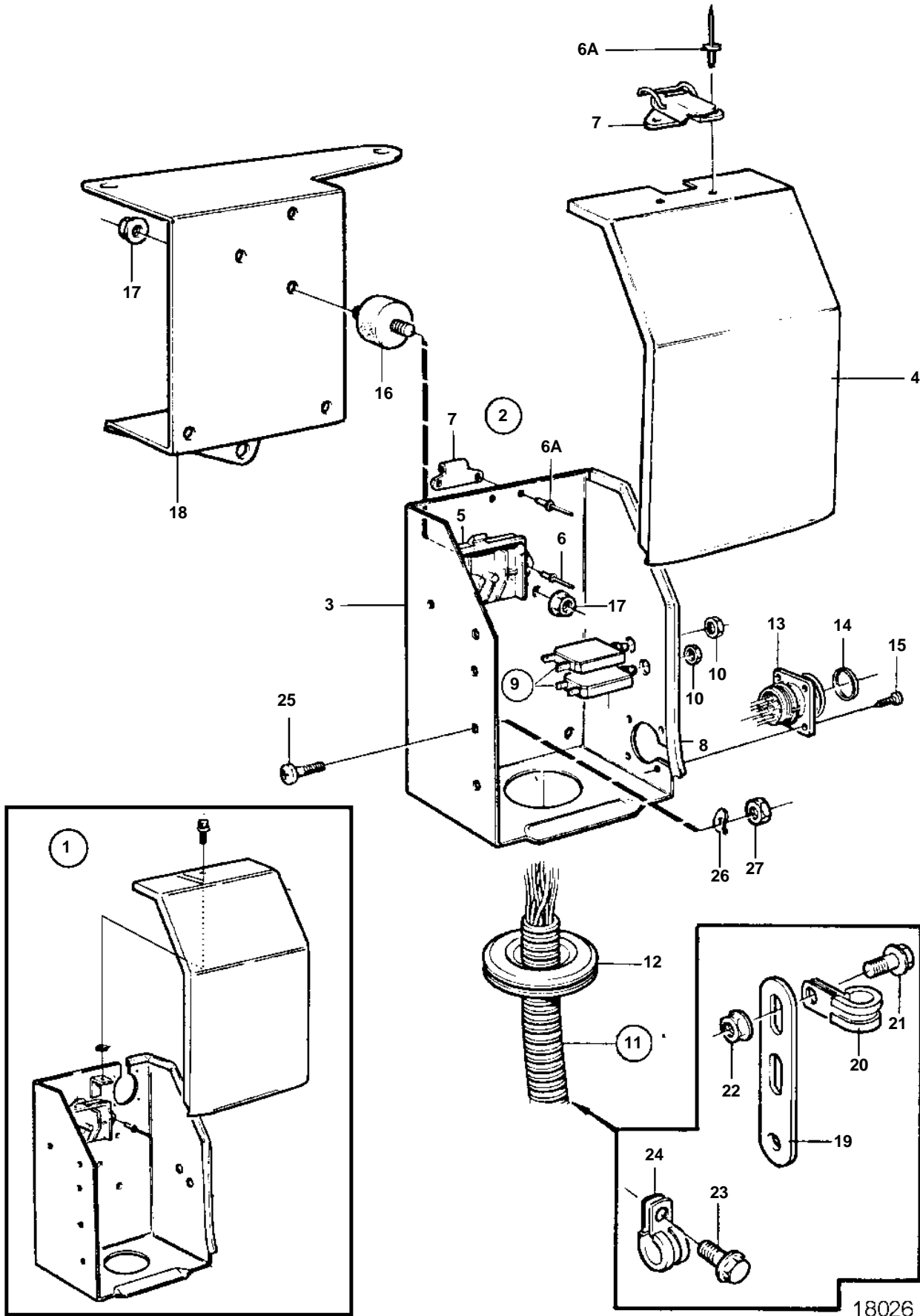


TAMD162C, TAMD162C-B



18026

TAMD162C, TAMD162C-B

REF	PART NO.	QTY	DESCRIPTION	SEE SEC.	NOTES
1	846660	1	Electrical distribut		SN-1101051473/XXXXX. Replaced by 1eu distribution box 3825254.
				1216	
2	3825254	1	Electrical distribut		SN1101051474/XXXXX-
3		1	· Box		
4	3825253	1	· Cover		
5	1234048	1	· Lower section		
6	942670	2	· Rivet		
6A	965592	4	· Rivet		
7	3825257	1	· Tension lock		
8	1214306	1	· Protecting moulding		
9	966689	2	Fuse		
10		2	· Nut		
11	873619	1	Wiring harness		
12	943920	1	· Protecting plug		(961962)
13	846611	1	· Sleeve connector, instrument panel		
14	846615	1	· Sealing ring		
15	955119	4	Screw		
16	3574797	3	Rubber cushion		
17	949278	6	Lock nut		
18	863739	1	Bracket		
19	965534	1	Bracket, water pump		
	965539	2	Bracket, flywheel cover		
	965535	1	Bracket, reverse gear		
20	952635	3	Clamp		
	949746	1	Clamp, reverse gear		
21	946544	3	Flange screw		M6
	945444	1	Flange screw, reverse gear		M8
22	945407	3	Flange nut		M6
	945408	1	Flange nut, reverse gear		M8
23	946440	4	Flange screw, exhaust manifold		
		1	Screwcover-camshaft	1069	
		1	Screwcontrol plate	1153	
24	947827	4	Clamp, exhaust manifold		
	949746	1	Clamp, cover-camshaft		
	949746	1	Clamp, control plate		
25	956075	5	Screw		
26	941905	5	Spring washer		
27	955780	5	Nut		