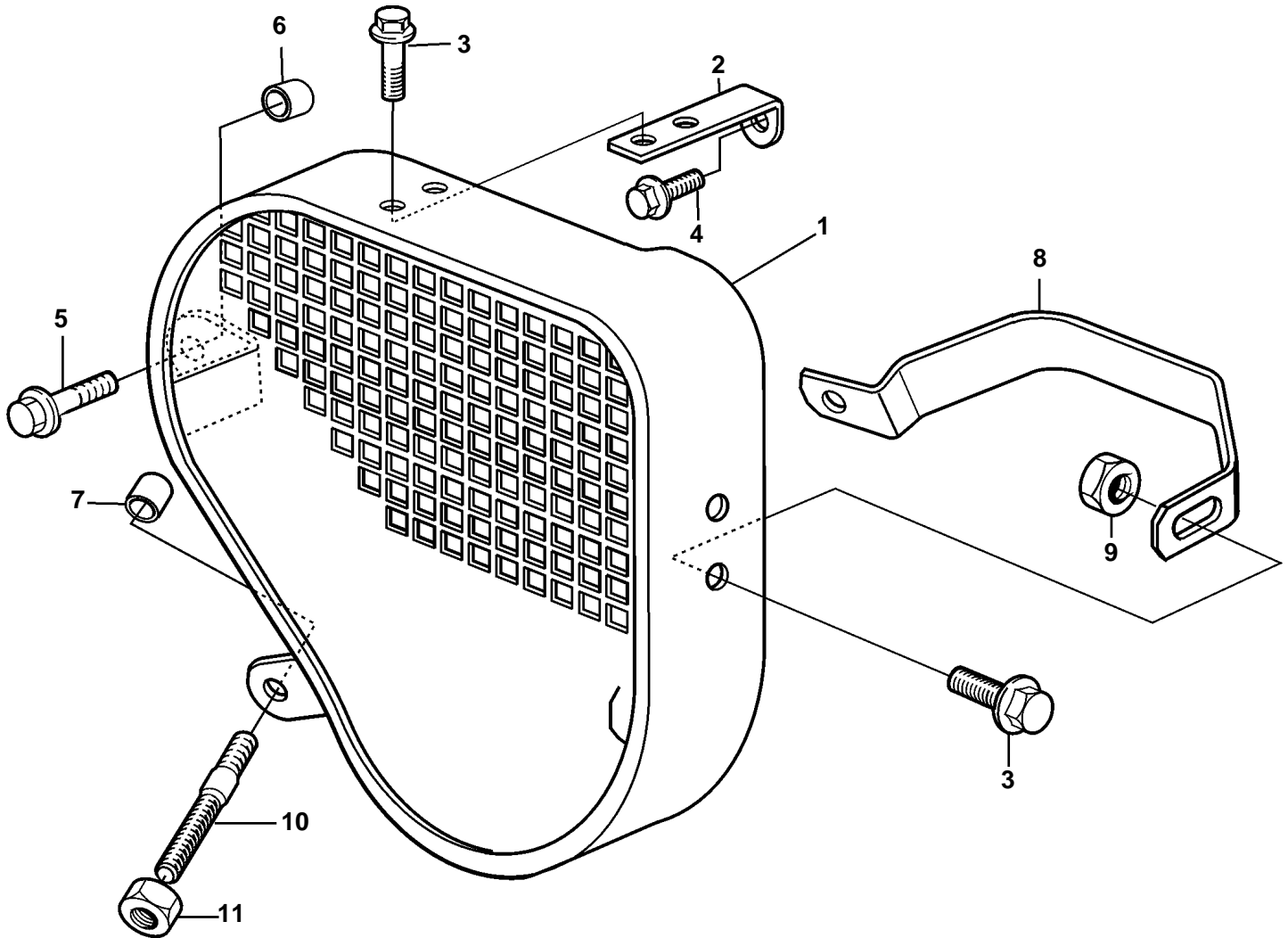


TAMD162A, TAMD162B, TAMD162C, TAMD162C-B



TAMD162A, TAMD162B, TAMD162C, TAMD162C-B

REF	PART NO.	QTY	DESCRIPTION	NOTES
1	3826171	1	Protecting casing	
2	866805	1	Bracket	
3	947107	2	Flange screw	
4	946441	1	Screw	
5	965226	1	Flange screw	
6	830672	1	Spacer sleeve	Should not be used when clutch casing for power take off is installed.
7	1678297	1	Spacer sleeve	Should not be used when clutch casing for power take off is installed.
8		1	Bracket	
9	945408	1	Flange nut	
10	968684	1	Stud	
11	971073	1	Nut	