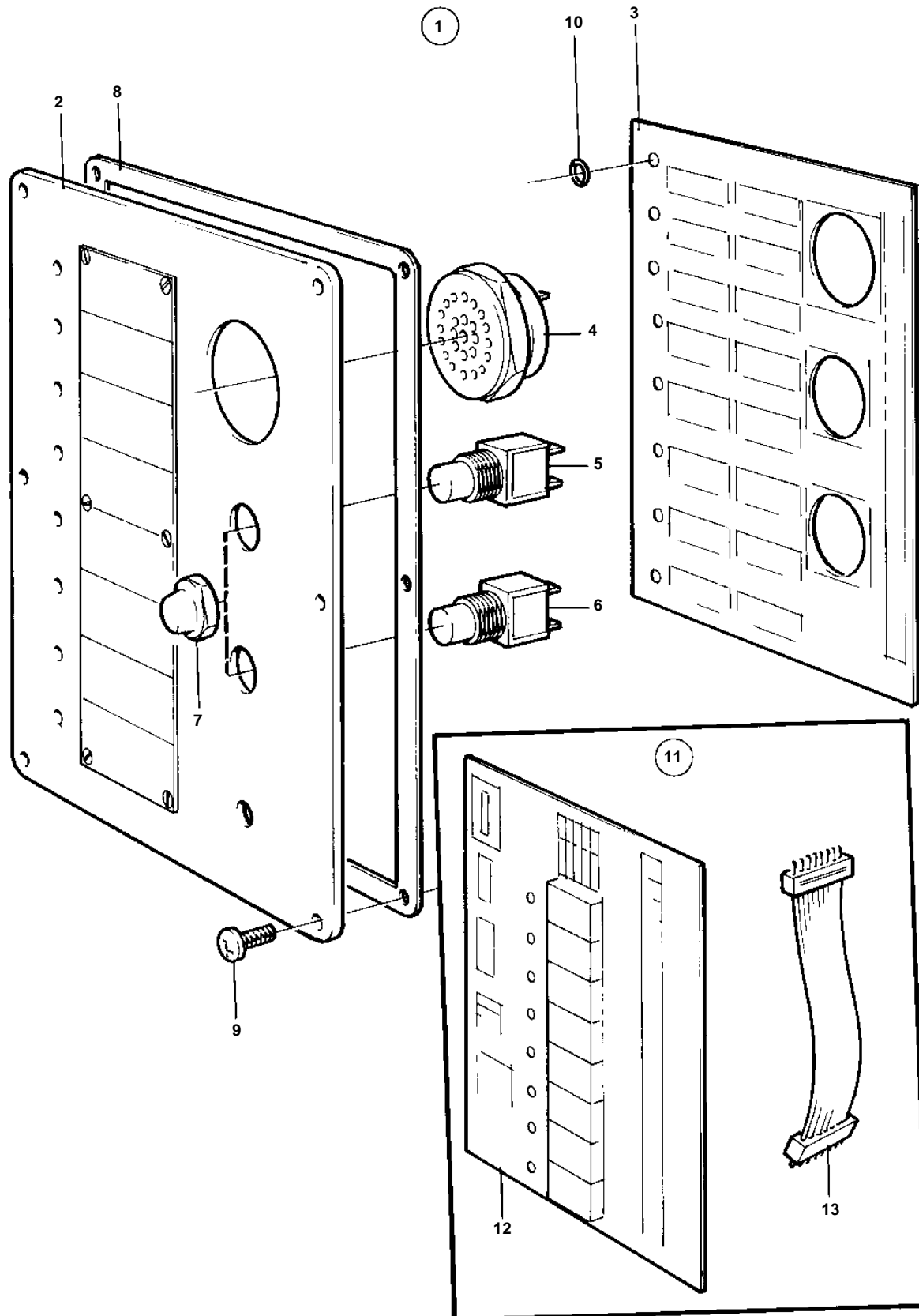


TAMD162A, TAMD162C, TAMD162C-B



9349

TAMD162A, TAMD162C, TAMD162C-B

REF	PART NO.	QTY	DESCRIPTION
1	873785	1	Electronic unit
2	862317	1	· Front plate
3		1	· Circuit board
4	828587	1	· Buzzer
5	862719	1	· Switch
6	828584	1	· Switch
7	828586	2	· Nut
8	862331	1	· Gasket
9	862217	6	· Screw
10	955978	9	· Rubber ring
11	862793	1	Circuit board
12		1	· Circuit board
13		1	· Connecting cable