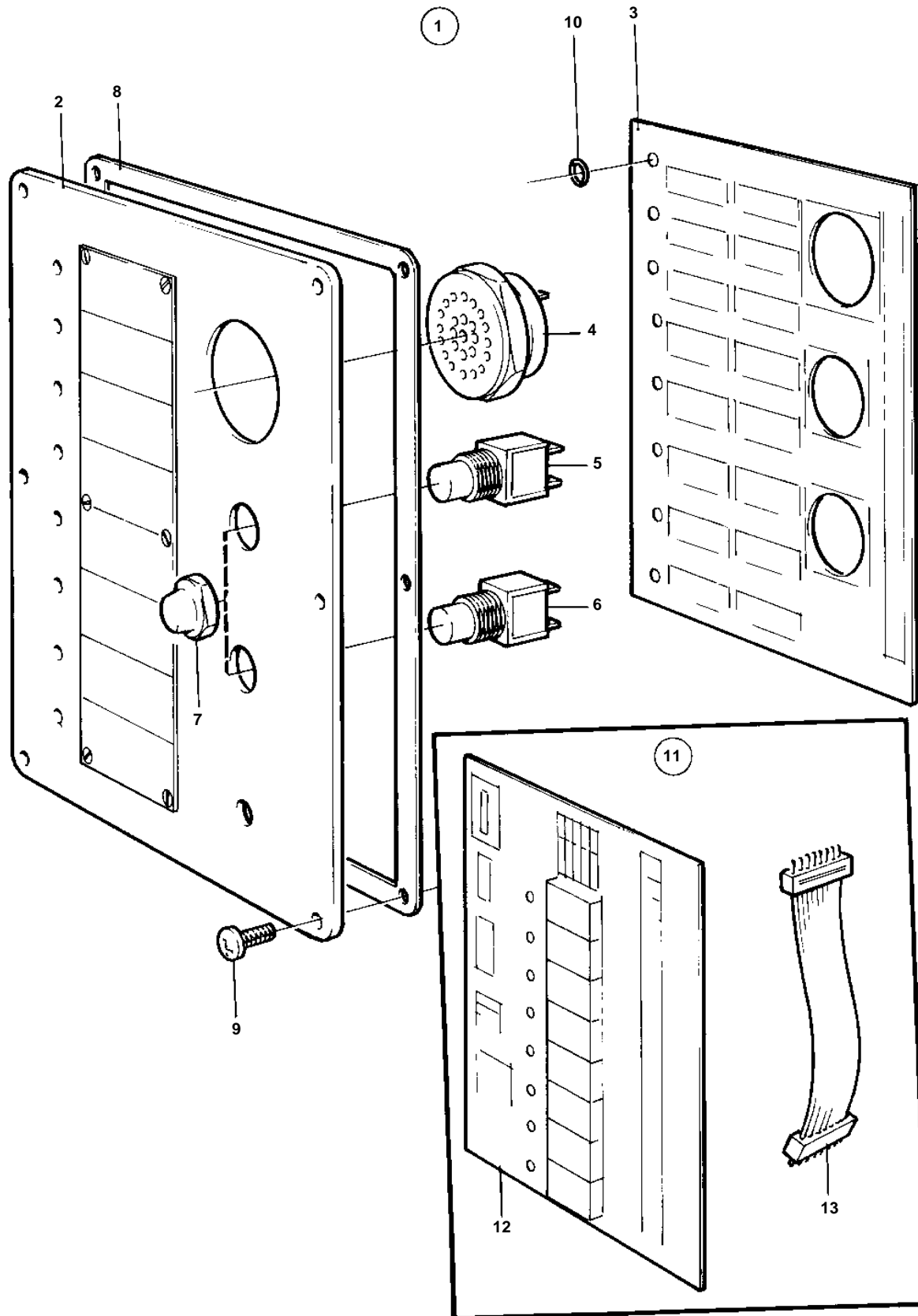


TAMD162A, TAMD162C, TAMD162C-B



9349

TAMD162A, TAMD162C, TAMD162C-B

REF	PART NO.	QTY	DESCRIPTION	NOTES
1	862935	1	Alarm panel	REPL BY 873785
2	862317	1	• Front plate	
3	862739	1	• Circuit board	REPL BY 873785
4	828587	1	• Buzzer	
5	862719	1	• Switch	
6	828584	1	• Switch	
7	828586	2	• Nut	
8	862331	1	• Gasket	
9	862217	6	• Screw	
10	955978	9	• Rubber ring	
11	862793	1	Circuit board	
12		1	• Circuit board	
13		1	• Connecting cable	