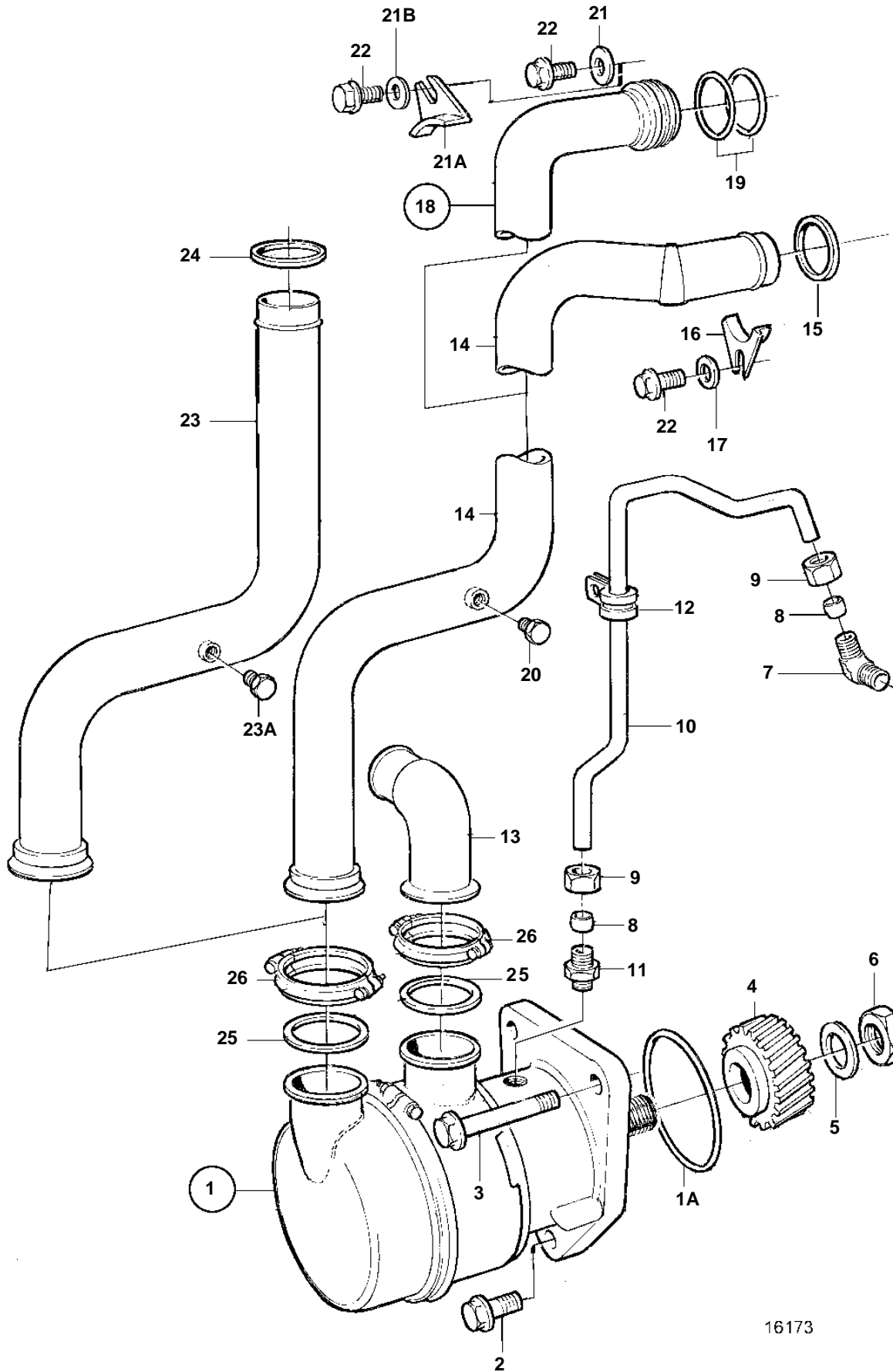


TAMD162A, TAMD162C



16173

TAMD162A, TAMD162C

REF	PART NO.	QTY	DESCRIPTION	SEE SEC.	NOTES
1	862263	1	Sea water pump		SN-1101042675/XXXXXX
				1121	
	865241	1	Sea water pump		SN1101042676/XXXXXX-
				1122	
1A	975610	1	O-ring		
2	966356	1	Flange screw		
3	966368	2	Flange screw		
4	848810	1	Gear		
5	955903	1	Washer		
6	955786	1	Nut		
7	954385	1	Elbow nipple, cylinder block		
8	954364	2	Fitting		
9	954356	2	Cap nut		
10	849403	1	Oil feed pipe		
11	945850	1	Nipple		
12	947191	1	Clamp, timing gear cover		
13	849816	1	Riser		
	849816	2	Riser		For separately mounted (central-) heat exchanger.
14	849286	1	Coolant pipe, intercooler		SN-1101051753/XXXXXX
15	863209	1	Sealing ring		SN-1101051753/XXXXXX
16	864559	1	Clamp		SN-1101051753/XXXXXX
17	966674	1	Washer		SN-1101051753/XXXXXX
18	876811	1	Coolant pipe, intercooler		SN1101051754/XXXXXX-. Fresh water cooling.
19	925072	2	· O-ring		SN1101051754/XXXXXX-
20	861551	1	· Plug		SN1101051754/XXXXXX-
21	947354	1	Washer		SN1101051754/XXXXXX-,ALT
21A	864559	1	Clamp		SN1101051754/XXXXXX-,ALT
21B	966674	1	Washer		SN1101051754/XXXXXX-,ALT
22	944926	1	Flange screw		
23		1	Coolant pipe, heat exchanger	1114	For engine mounted heat exchanger with fresh-water-cooled charge-air-cooler.
23A	861551	1	Plug		
24	863209	1	Sealing ring		
25	849817	2	Gasket		
26	863907	2	Clamp		