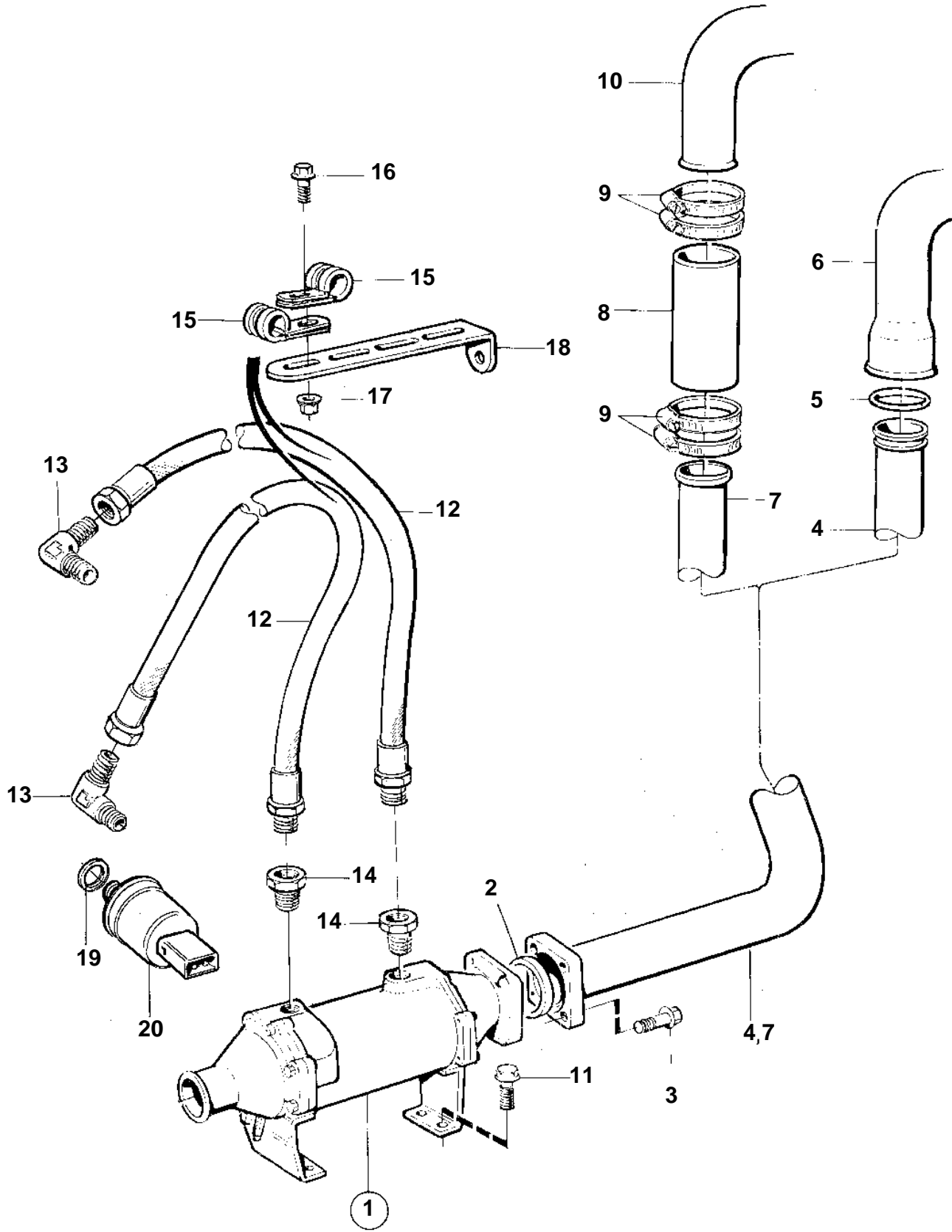


TAMD162C



## TAMD162C

REF	PART NO.	QTY	DESCRIPTION	SEE SEC.	NOTES
1	3825936	1	Oil cooler		
				1985	
2	843584	1	Sealing ring		
3	946173	4	Flange screw		
4		1	Coolant pipe		SN-1101050801/XXXXX. For sea water cooling replaced by 1pc coolant pipe 866772, 1pc coolant pipe 866773, 4pcs clamp 961673 and 130mm rubber hose 952980.. For keel cooling replaced by 1pc coolant pipe 866771, 1pc coolant pipe 866773, 4pcs clamp 961673 and 130mm rubber hose 952980.
5	863209	1	Sealing ring		SN-1101050801/XXXXX
6	849331	1	Coolant pipe, L=965mm		SN-1101050801/XXXXX. For separately mounted (central-) heat exchanger and keel cooling.. For keel cooling replaced by 1pc coolant pipe 866771, 1pc coolant pipe 866773, 4pcs clamp 961673 and 130mm rubber hose 952980.
	849342	1	Coolant pipe, L=1172mm		SN-1101050801/XXXXX. For engine mounted heat exchanger.. For sea water cooling replaced by 1pc coolant pipe 866772, 1pc coolant pipe 866773, 4pcs clamp 961673 and 130mm rubber hose 952980.
7	866773	1	Coolant pipe		SN1101050802/XXXXX-
8	952980	X	Rubber hose, L=190mm		SN1101050802/XXXXX-
9	961673	4	Clamp		SN1101050802/XXXXX-
10	866771	1	Coolant pipe, L=965mm		SN1101050802/XXXXX-. For separately mounted (central-) heat exchanger and keel cooling.
	866772	1	Coolant pipe, L=1172mm		SN1101050802/XXXXX-. For engine mounted heat exchanger.
11	946329	4	Flange screw		(973083)
12	863649	2	Lube oil hose		
13	837063	2	Elbow union		
14	949707	2	Nipple		
15	952637	2	Clamp		
16	946544	1	Flange screw		
17	945407	1	Flange nut		
18	965559	1	Bracket		
19	866839	1	Pressure sensor, oil		
20	11998	1	Gasket		