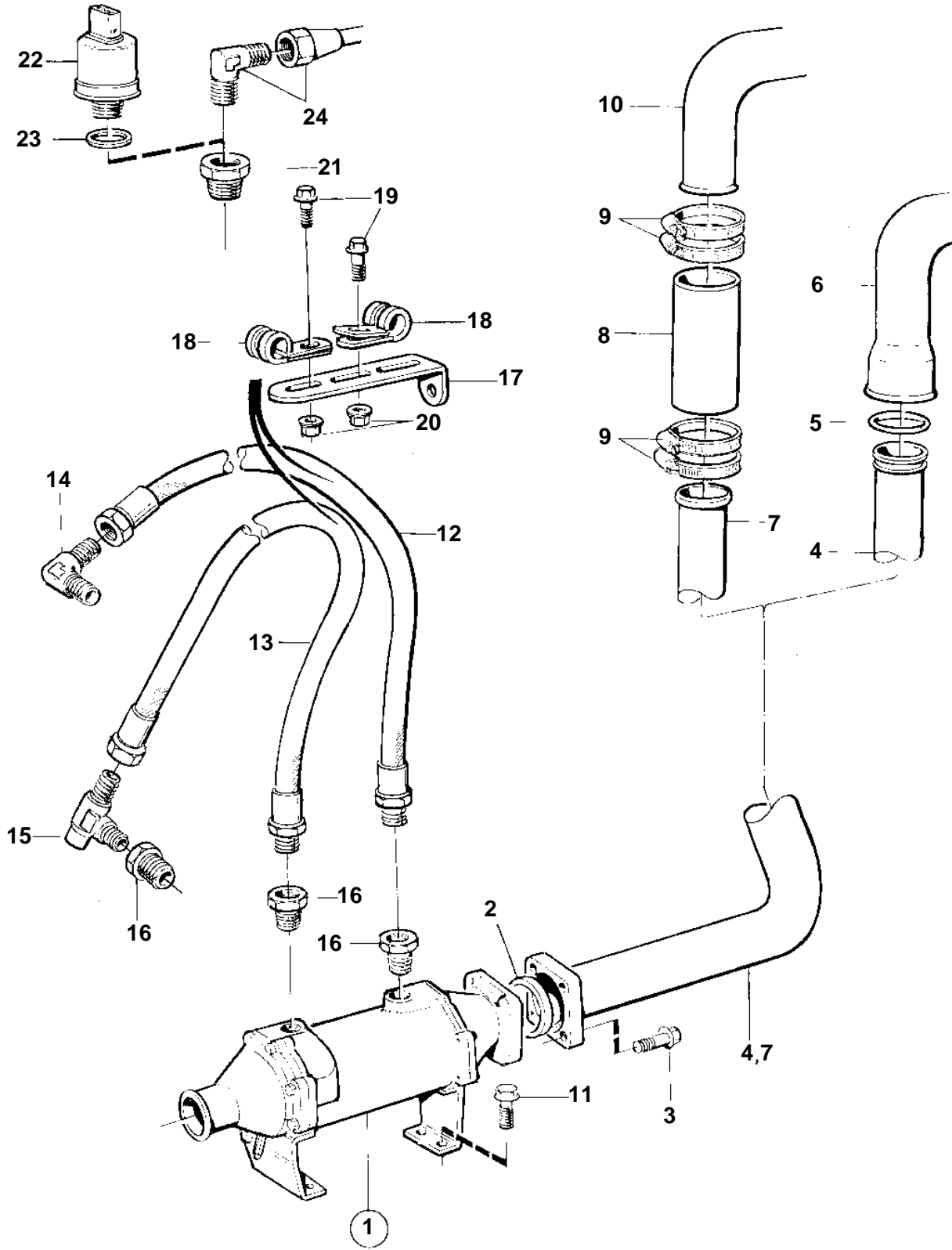


TAMD162A, TAMD162C, TAMD162C-B



## TAMD162A, TAMD162C, TAMD162C-B

REF	PART NO.	QTY	DESCRIPTION	SEE SEC.	NOTES
1	3825936	1	Oil cooler	1985	
2	843584	1	Sealing ring		
3	946173	4	Flange screw		
4		1	Coolant pipe		SN-1101050801/XXXXX. For sea water cooling replaced by 1pc coolant pipe 866772, 1pc coolant pipe 866773, 4pcs clamp 961673 and 130mm rubber hose 952980.. For keel cooling replaced by 1pc coolant pipe 866771, 1pc coolant pipe 866773, 4pcs clamp 961673 and 130mm rubber hose 952980.
5	863209	1	Sealing ring		SN-1101050801/XXXXX
6	849331	1	Coolant pipe, L=965mm		SN-1101050801/XXXXX. For separately mounted (central-) heat exchanger and keel cooling.. Replaced by 1pc coolant pipe 866771, 1pc coolant pipe 866773, 4pcs clamp 961673 and 130mm rubber hose 952980.
	849342	1	Coolant pipe, L=1172mm		SN-1101050801/XXXXX. For engine mounted heat exchanger.. Replaced by 1pc coolant pipe 866772, 1pc coolant pipe 866773, 4pcs clamp 961673 and 190mm rubber hose 952980.
7	866773	1	Coolant pipe		SN1101050802/XXXXX-
8	952980	X	Rubber hose, L=190mm		SN1101050802/XXXXX-
9	961673	4	Clamp		SN1101050802/XXXXX-
10	866771	1	Coolant pipe, L=965mm		SN1101050802/XXXXX-. For separately mounted (central-) heat exchanger and keel cooling.
	866772	1	Coolant pipe, L=1172mm		SN1101050802/XXXXX-. For engine mounted heat exchanger.
11	946329	4	Flange screw		(973083)
12	863649	1	Lube oil hose		L=1300mm
13	862156	1	Hose		L=1550mm
14	837063	1	Elbow union		
15	824479	1	Elbow union		
16	949707	3	Nipple		
17	965559	1	Bracket		
18	952637	2	Clamp		
19	946544	2	Flange screw		
20	945407	2	Flange nut		
21	942919	1	Nipple		
22	866839	1	Pressure sensor, oil		STD
23	11998	1	Gasket		ALT
	947624	1	Gasket		ALT
24		1	Pressure sensoroil	1218	CLASSIFIED