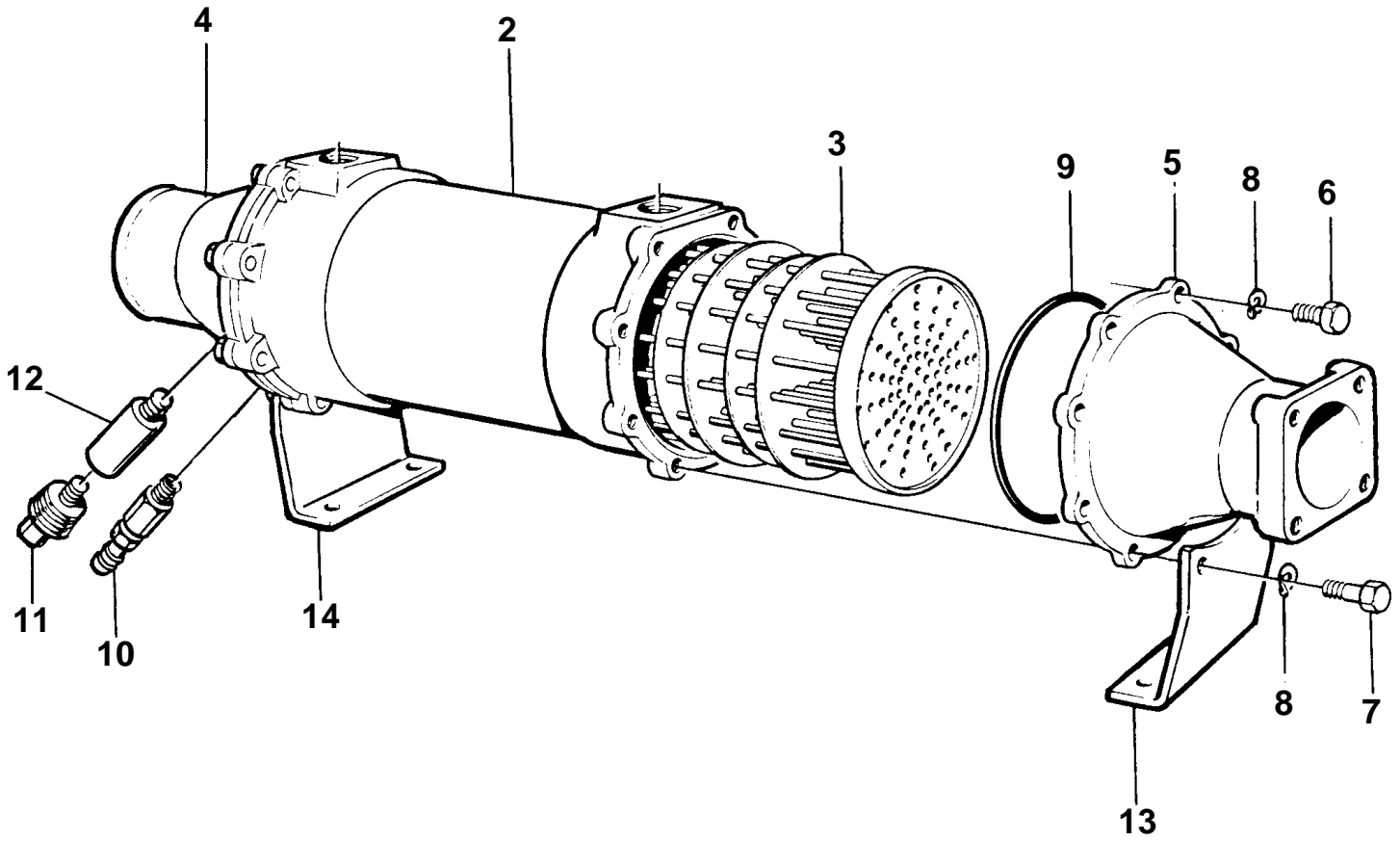


TAMD162A, TAMD162B, TAMD162C, TAMD162C-B

1



TAMD162A, TAMD162B, TAMD162C, TAMD162C-B

REF	PART NO.	QTY	DESCRIPTION		NOTES
1	3825936	1	Oil cooler	NS	
2	849618	1	· Housing		
3	3825932	1	· Insert		
4	836888	1	· End cover	SO	
5	849402	1	· End cover		Replaced by end cover 3826210 and plug 861551.
6	955514	12	· Screw		
7	940117	4	· Screw		
8	941906	16	· Spring washer		
9	925027	2	· O-ring		
10	949918	1	· Drain cock		
11	838928	2	· Plug		
12	838929	2	· Zinc anod		
13		1	· Bracket		
14		1	· Bracket		