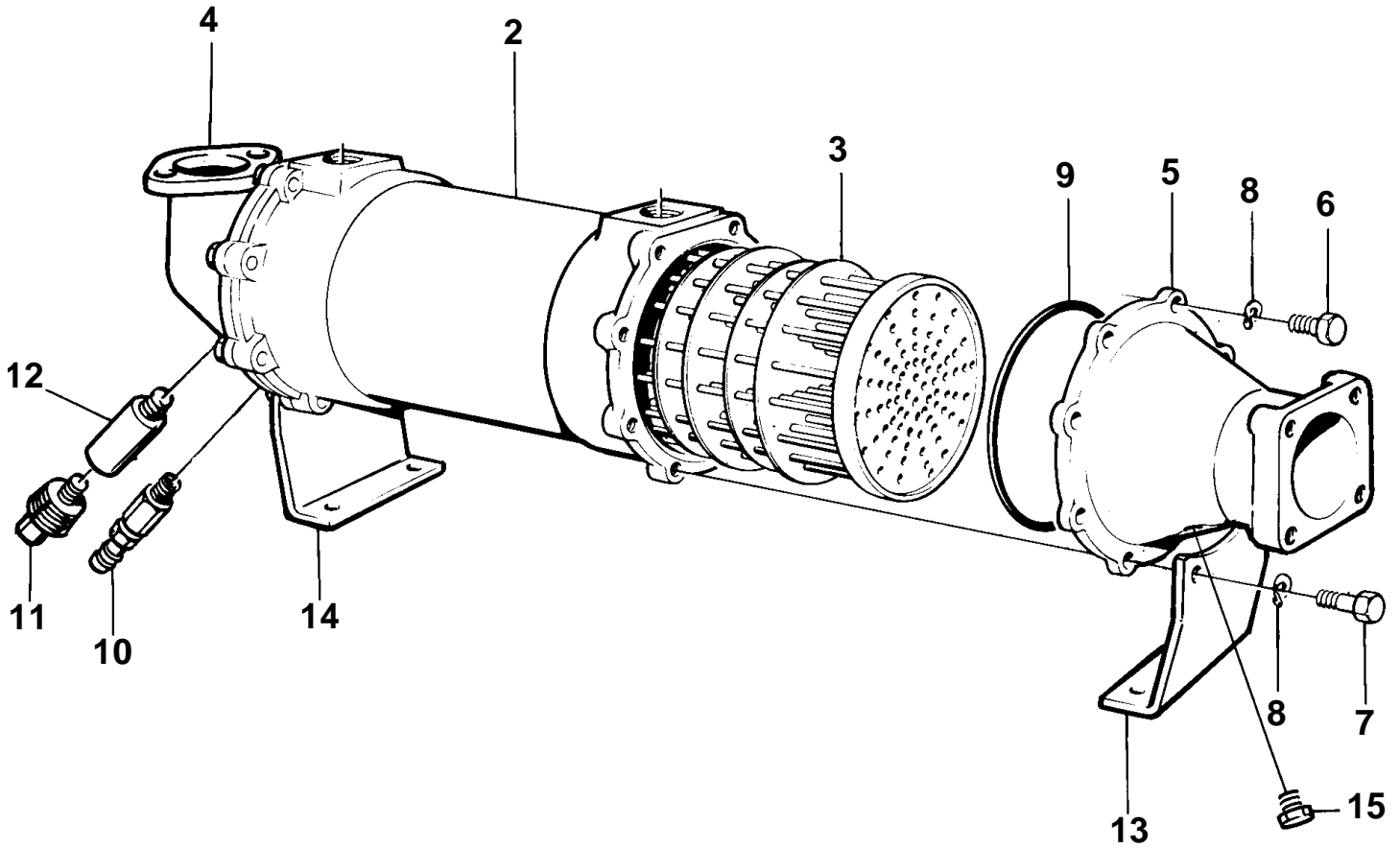


TAMD162A, TAMD162B, TAMD162C, TAMD162C-B

1



16792

TAMD162A, TAMD162B, TAMD162C, TAMD162C-B

REF	PART NO.	QTY	DESCRIPTION	NOTES
1		1	Oil cooler	
2	849618	1	· Housing	
3	3825932	1	· Insert	(864213)
4	843567	1	· End cover	
5	849402	1	· End cover	Replaced by end cover 3826210 and plug 861551.
	3826210	1	· End cover	
6	955514	12	· Screw	
7	940117	4	· Screw	
8	941906	16	· Spring washer	
9	925027	2	· O-ring	
10	949918	1	· Drain cock	
11	838928	2	· Plug	
12	838929	2	· Zinc anod	
13		1	· Bracket	
14		1	· Bracket	
15	861551	1	· Plug	