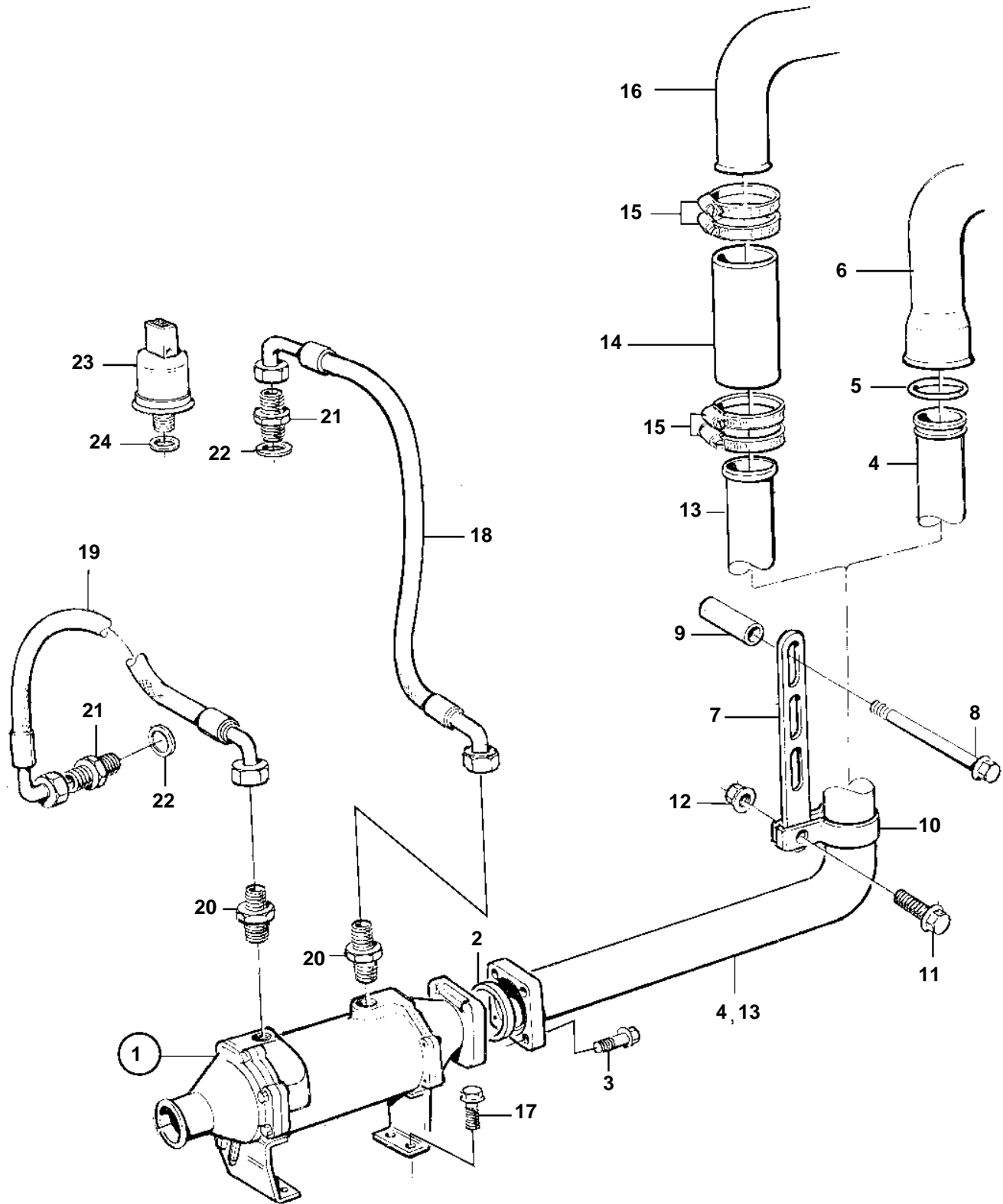


TAMD162B



## TAMD162B

REF	PART NO.	QTY	DESCRIPTION	SEE SEC.	NOTES
1	3825936	1	Oil cooler		
				1985	
2	843584	1	Sealing ring		
3	946173	4	Flange screw		
4	862667	1	Coolant pipe		SN-1101050801/XXXXX. For sea water cooling replaced by 1pc coolant pipe 866772, 1pc coolant pipe 866774, 4pcs clamp 961673 and 130mm rubber hose 952980.. For keel cooling replaced by 1pc coolant pipe 866771, 1pc coolant pipe 866774, 4pcs clamp 961673 and 130mm rubber hose 952980.
5	863209	1	Sealing ring		SN-1101050801/XXXXX
6	849342	1	Coolant pipe		SN-1101050801/XXXXX. For engine mounted heat exchanger.. Replaced by 1pc coolant pipe 866772, 1pc coolant pipe 866774, 4pcs clamp 961673 and 190mm rubber hose 952980.
7	965546	1	Bracket		SN-1101050801/XXXXX
8	968303	1	Screw		SN-1101050801/XXXXX
9	852661	1	Spacer sleeve		SN-1101050801/XXXXX
10	32447	1	Clamp		SN-1101050801/XXXXX
11	946472	1	Screw		SN-1101050801/XXXXX
12	971095	1	Nut		SN-1101050801/XXXXX
13	866774	1	Coolant pipe		SN1101050802/XXXXX-
14	952980	X	Rubber hose, L=190mm		SN1101050802/XXXXX-
15	961673	4	Clamp		SN1101050802/XXXXX-
16	866772	1	Coolant pipe		SN1101050802/XXXXX-. For engine mounted heat exchanger.
17	946441	4	Screw		
18	864073	1	Oil hose		L=420mm
19	864074	1	Oil hose		L=700mm
20	974337	2	Nipple		
21	943988	2	Nipple		
22	947629	2	Gasket		
23	866839	1	Pressure sensor, oil		
24	11998	1	Gasket		