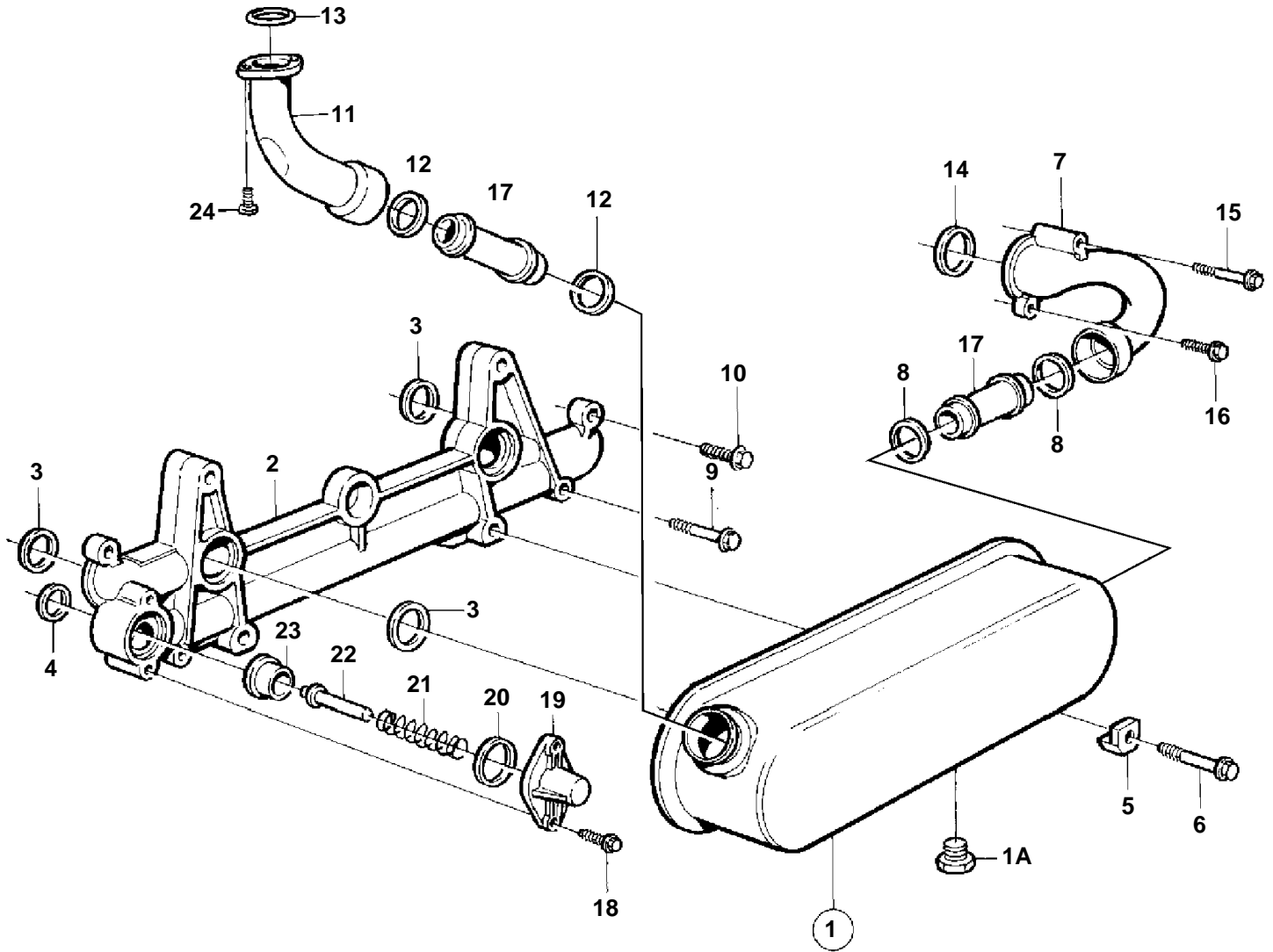


TAMD162A, TAMD162B, TAMD162C, TAMD162C-B



15957

TAMD162A, TAMD162B, TAMD162C, TAMD162C-B

REF	PART NO.	QTY	DESCRIPTION	NOTES
1	863812	1	Oil cooler	CLASSIFIED
1A	180759	1	· Plug	
2	1543867	1	Plate	SN-XXXXXXXXXX/14066. Replaced by 1556594.
	1556594	1	Plate	SNXXXXXXXXXX/14067-
3	8192187	4	Sealing ring	
4	8192189	1	Sealing ring	
5	471804	4	Retainer	
6	965189	4	Flange screw	
7	866565	1	Pipe connection, cylinder block	
8	1556905	2	Sealing ring	
9	965216	2	Screw	
10	946671	2	Flange screw	
11	866564	1	Pipe connection, exhaust manifold	
12	1556905	2	Sealing ring	
13	925066	1	O-ring	
14	1556949	1	Sealing ring	
15	965217	1	Flange screw	
16	946671	1	Flange screw	
17	471634	2	Tube	
18	946671	2	Flange screw	
19	1543608	1	Cover	
20	1543577	1	Sealing ring	
21	1543615	1	Spring	
22	1543610	1	Peg	
23	1543964	1	Valve seat	
24	946934	2	Flange screw	