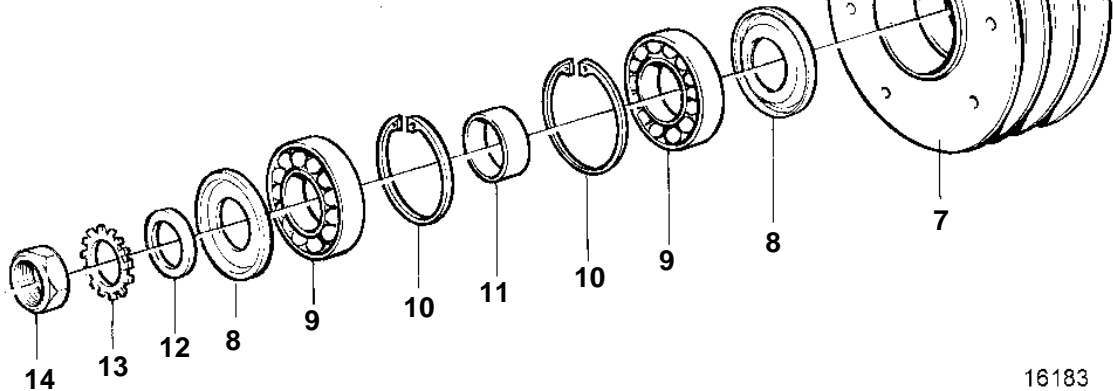
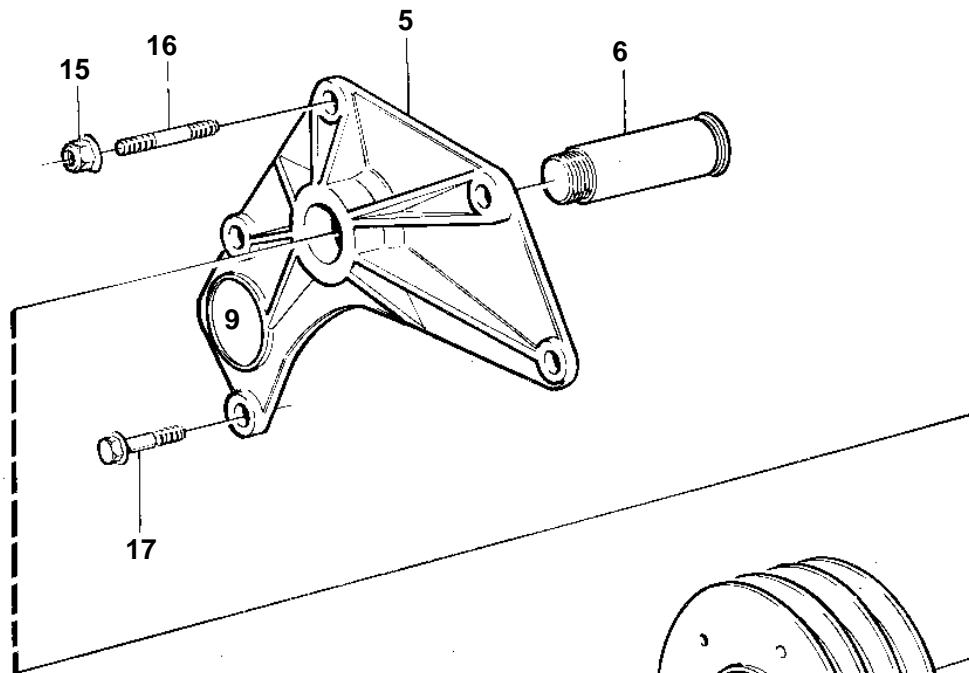
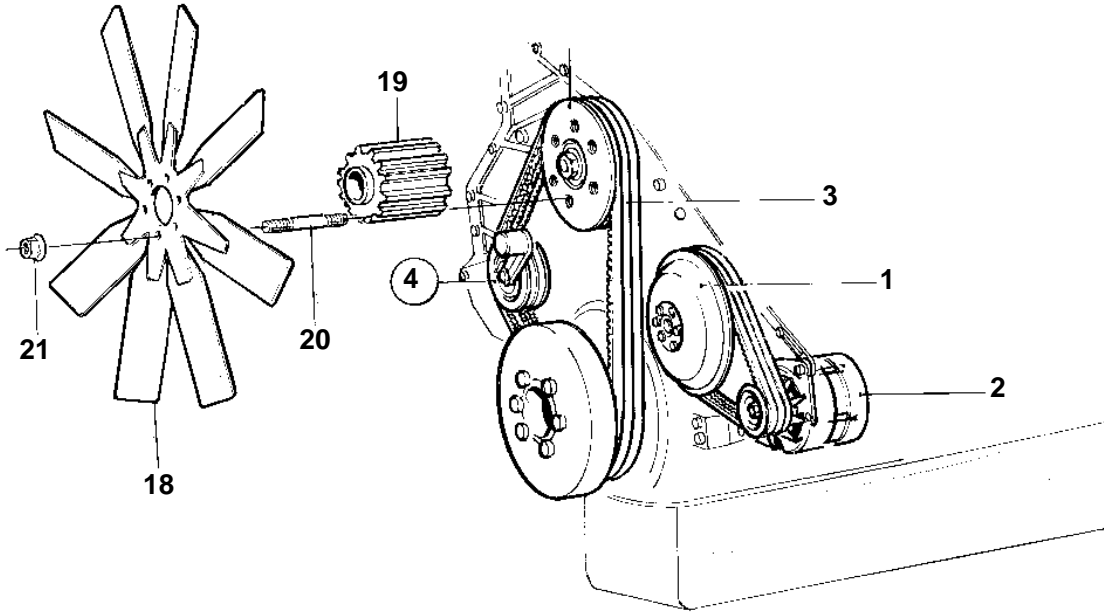


TAMD162A, TAMD162C, TAMD162C-B



16183

TAMD162A, TAMD162C, TAMD162C-B

REF	PART NO.	QTY	DESCRIPTION	SEE SEC.	NOTES
1		1	Pulleywater pump		SEE GROUP 30
2		1	Alternator		SEE GROUP 30
3	967269	1	V-belt kit		
4		1	Belt tensioner	1113	
5		1	Fan bracket		
	848996	1	· Fan bracket		
6	4776841	1	· Shaft		
7			· Pulley		Replaced by 1 ea pulley 3826749 and 2 ea ball bearing 184822.
	3826749	1	· Pulley		
8	4785314	2	· Sealing ring		
9		2	· Ball bearing		Replaced by 1 ea pulley 3826749 and 2 ea ball bearing 184822.
	184822	2	· Ball bearing		
10	914540	2	· Lock ring		
11	4776141	1	· Spacer sleeve		
12	4776843	1	· Spacer ring		
13	907024	1	· Lock washer	OP	
14	906634	1	· Round nut		
15	971095	2	Nut		
16	952999	2	Stud		ALT 110x95mm
	953000	2	Stud		ALT 115x100mm
17	965215	1	Screw		
18	848925	1	Fan, suction type		
19	3828712	1	Fan hub		(862495)
20	969199	6	Stud		
21	971095	6	Nut		