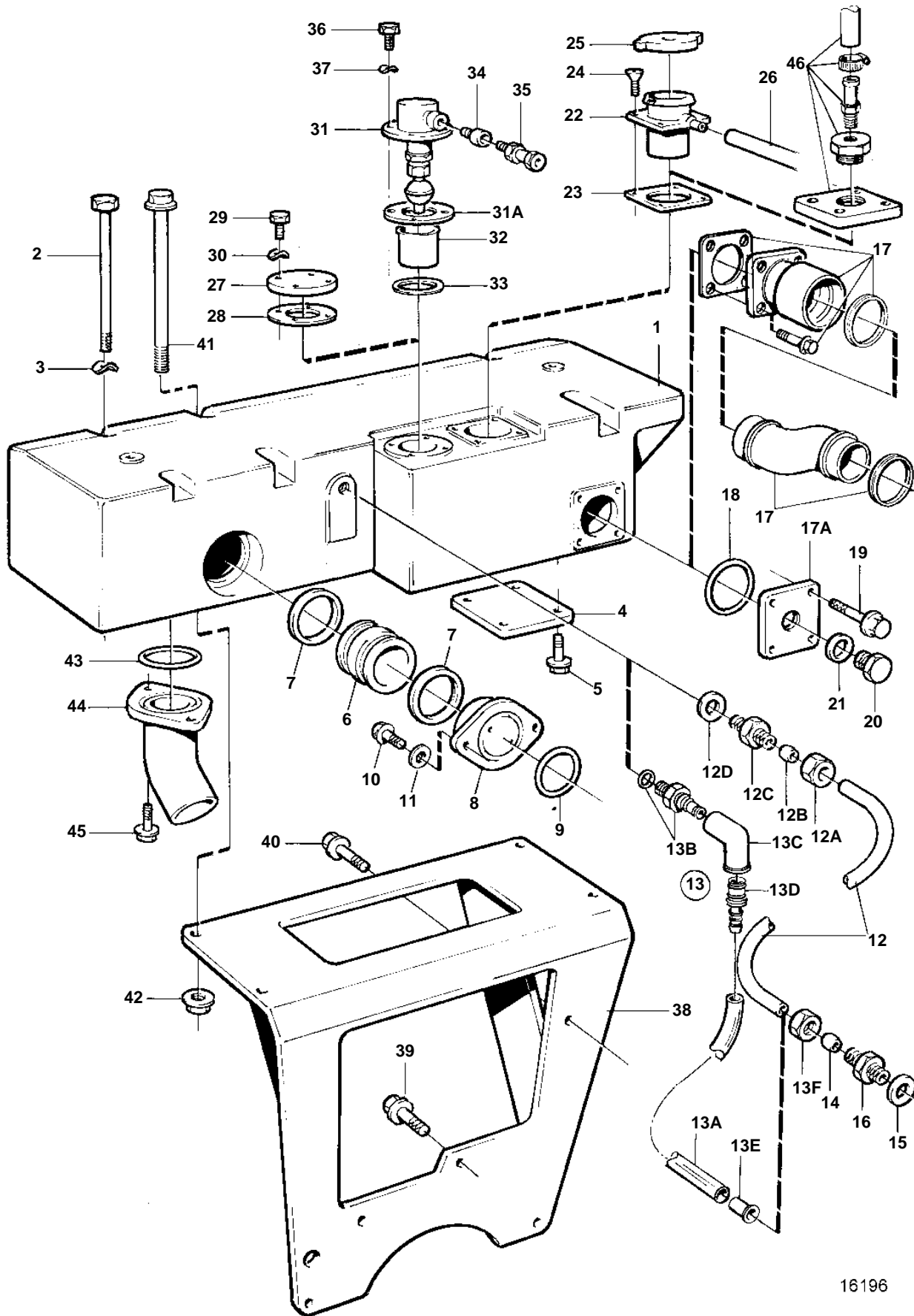


TAMD162A, TAMD162B, TAMD162C



16196

## TAMD162A, TAMD162B, TAMD162C

REF	PART NO.	QTY	DESCRIPTION	SEE SEC.	NOTES
1	862705	1	Expansion tank		SN-1101041631/XXXXXX. Replaced by 864609.
	864609	1	Expansion tank		SN1101041632/XXXXX-
2	970966	6	Screw		For engine mounted heat exchanger.
3	941908	6	Spring washer		For engine mounted heat exchanger.
4		1	Cover		SN-1101041631/XXXXXX
5	946173	4	Flange screw		SN-1101041631/XXXXXX
6	3826974	1	Connector		
7	863210	2	Sealing ring		
8	866566	1	Flange, therm. housing		For engine mounted heat exchanger.
	866567	1	Flange, therm. housing		For separately mounted (central-) heat exchanger and keel cooling.
9	925078	1	O-ring		
10	945444	2	Flange screw		
11	976944	2	Washer		(966674)
12	3826170	1	Air vent pipe		EARLY TYPE
12A	956981	1	Nut		EARLY TYPE
12B	956967	1	Fitting		EARLY TYPE
12C	963947	1	Nipple		EARLY TYPE
12D	18665	1	Gasket		EARLY TYPE
13	3826170	1	Air vent pipe		LATE TYPE
13A	980831	X	· Tube, L=185mm		SEN UTF, (976133)
13B	969323	1	· Nipple		LATE TYPE
13C	976958	1	· Elbow nipple		LATE TYPE
13D	976444	1	· Fitting		LATE TYPE
13E	949361	1	· Support sleeve		LATE TYPE
13F	956981	1	· Nut		
14	956967	1	· Fitting		
15	18665	1	Gasket	1108	
16		1	Nipple	1108	
17		1	Connectorintercooler	4382	For separately mounted (central-) heat exchanger and keel cooling.
17A	849843	1	Cover		For engine mounted heat exchanger.
18	1664473	1	O-ring		For engine mounted heat exchanger.
19	945444	4	Flange screw		For engine mounted heat exchanger.
20	914394	1	Plug		For engine mounted heat exchanger.
21	947629	1	Gasket		For engine mounted heat exchanger.
22	823580	1	Connection flange		
23	842137	1	Gasket		
24		4	Screw		
25	350578	1	Pressure cap, 50 kpa		REPL BY 866095
	866095	1	Pressure cap, 70 kpa		
26	192618	X	Hose		L=1100mm
27	843760	1	Cover		
28	863715	1	Gasket		
29	955244	4	Screw		
30	941905	4	Spring washer		
31	837797	1	Float breaker		SN-1101018222/XXXXXX. Replaced by 1pc level guard 872315, 4pcs screw 941460 and 1pc 863715 gasket.
	863777	1	Level guard		SN1101018223/XXXXX-. Replaced by 1pc level guard 872315, 4pcs screw 941460 and 1pc 863715 gasket.
					SN-1101039311/XXXXXX
	872315	1	Level guard		SN1101039312/XXXXX-
31A	863715	1	Gasket		SN1101018223/XXXXX-
32	862101	1	Splash pipe		SN-1101021147/XXXXXX. Replaced by 863711.
	863711	1	Tube		SN1101021148/XXXXX-
33	862201	1	Gasket		SN-1101021147/XXXXXX
34	843906	1	Reducer sleeve		SN-1101039311/XXXXXX
35	881191	2	Cable union		
36	955246	4	Screw, hexagon		ALT, SN-1101039311/XXXXXX
	956078	4	Screw, cross recessed		ALT, SN-1101039311/XXXXXX
	941460	4	Screw, hexagon socket		SN1101039312/XXXXX-
37	941905	4	Spring washer		
38	862548	1	Bracket		For separately mounted (central-) heat exchanger and keel cooling.
39	965189	4	Flange screw		For separately mounted (central-) heat exchanger and keel cooling.

