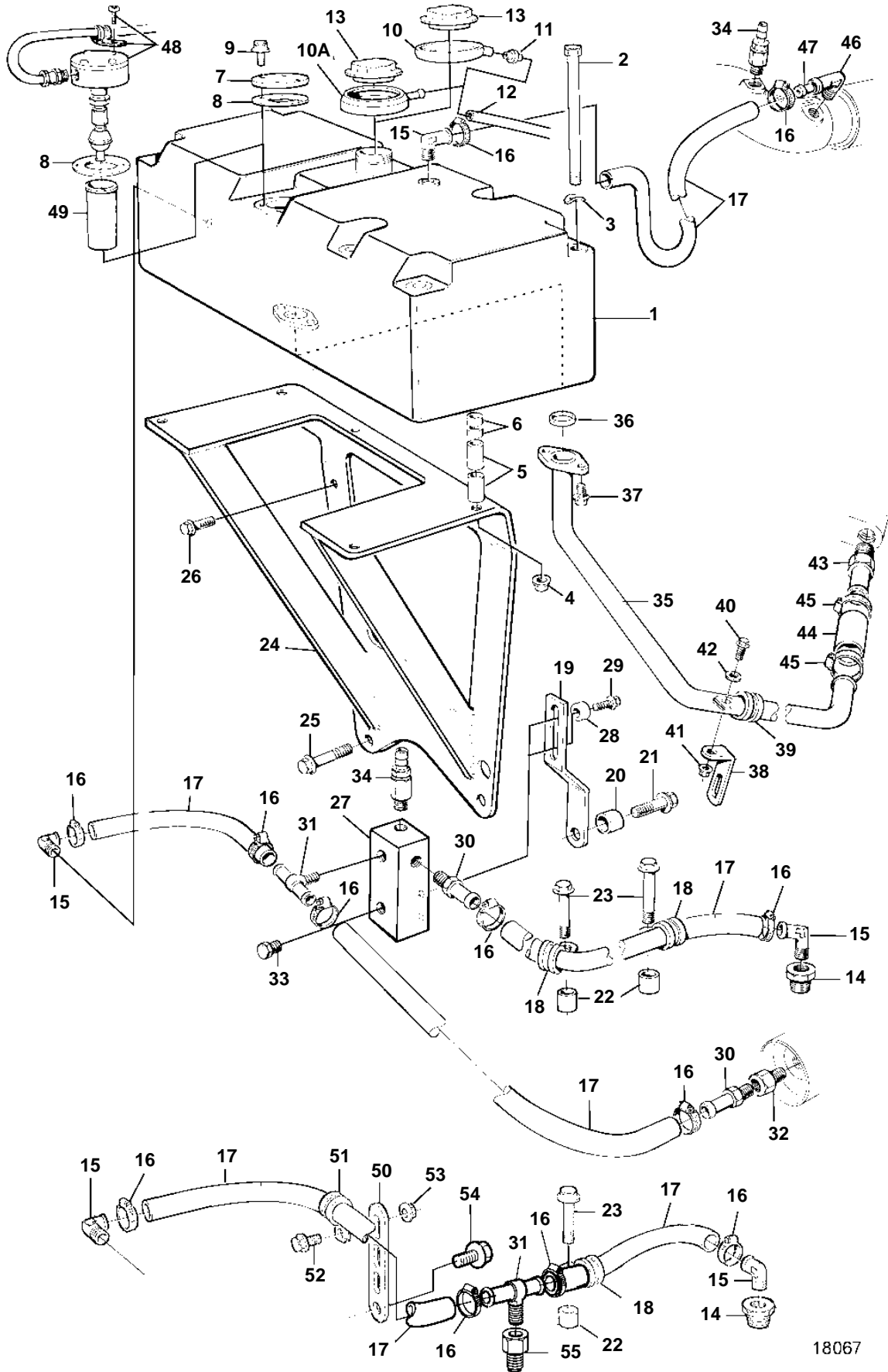


TAMD162C-B



18067

TAMD162C-B

REF	PART NO.	QTY	DESCRIPTION	SEE SEC.	NOTES
1	866767	1	Expansion tank		
2	973253	4	Screw		
3	941908	4	Spring washer		
4	971095	4	Nut		
5	845884	4	Spacer sleeve		
6	842930	4	Spacer sleeve		
7	843760	1	Cover		
8	863715	1	Gasket		
9	965199	4	Screw		
10	1196982	1	Seal		SN-1101052283/XXXXX
10A	11033334	1	Collar		SN1101052284/XXXXX-
11		1	Nipple		SN-1101052283/XXXXX
12	192618	X	Hose		L=1100mm
13	1674083	1	Pressure cap		
14	479954	1	Nipple, exhaust manifold		
15	942758	3	Nipple		
16	943470	6	Hose clamp		
17	943367	X	Hose		
18	949747	1	Clamp		
22	820506	1	Spacer sleeve		
23	965184	1	Screw		
24	862548	1	Bracket		
25	965189	4	Flange screw		
26	973924	1	Flange screw		(965179)
31	948092	1	Nipple		
34	966871	1	Tap		
35	3825521	1	Coolant pipe		
36	862637	1	Gasket		
37	946173	2	Flange screw		
38	965555	1	Bracket, timing gear cover		
39	952634	1	Clamp		
40	946934	1	Flange screw		
41	949278	1	Lock nut		
42	960140	1	Washer		
43	941845	1	Nipple, water pump		
44	944386	X	Hose		L=60mm
45	961667	2	Hose clamp		
46	479953	1	Elbow nipple		(180283)
47	865754	1	Orifice sleeve		
48		1	Level sensor	2682	
49		1	Splash pipe	2682	
50	965545	1	Bracket		
51	952630	1	Clamp		
52	967949	1	Screw		
53	949278	1	Lock nut		
54	946379	1	Screw		
55	862109	1	Nipple, collecting pipe		