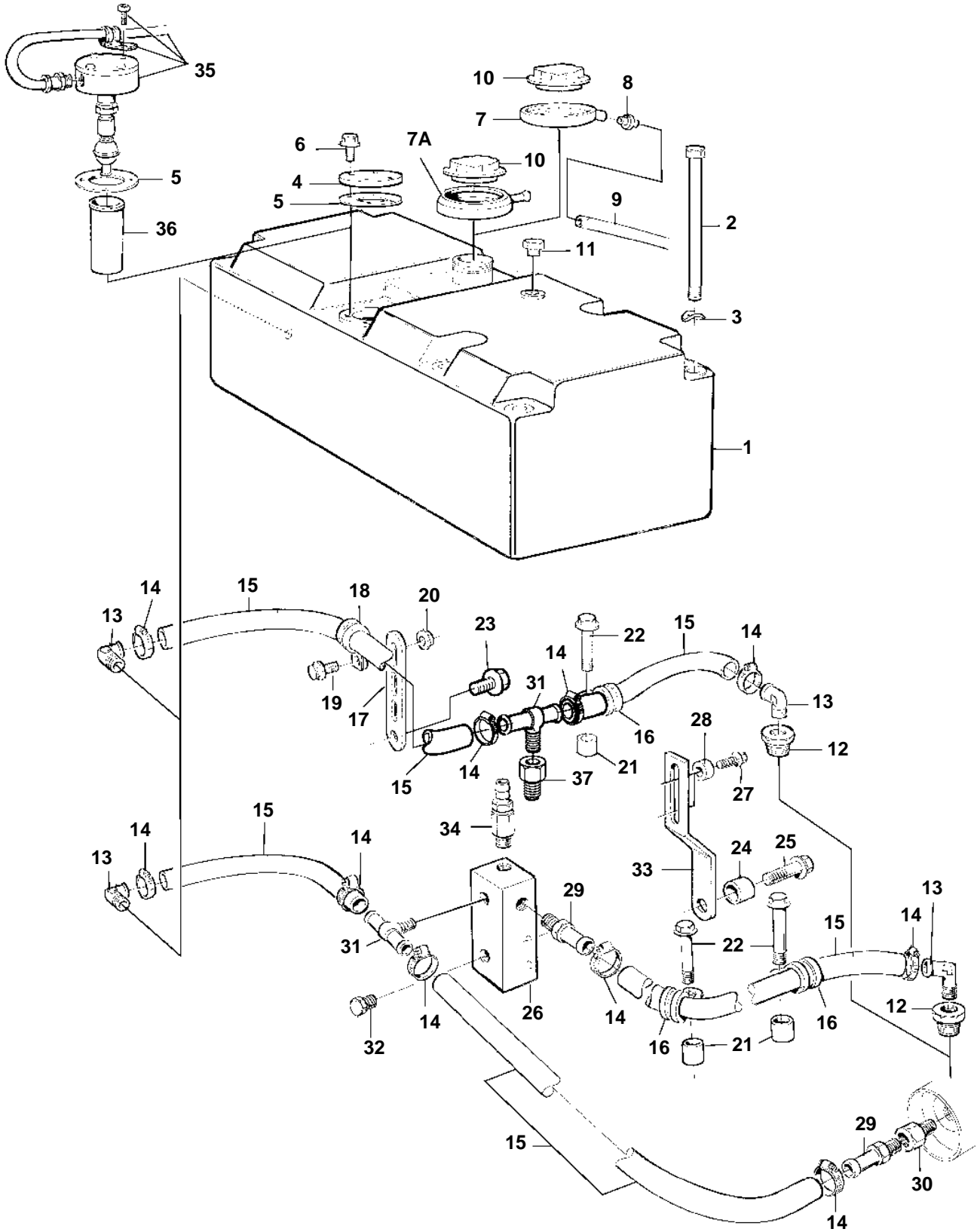


TAMD162C-B



18052

TAMD162C-B

REF	PART NO.	QTY	DESCRIPTION	NOTES
1	866767	1	Expansion tank	
2	970966	6	Screw	
3	941908	6	Spring washer	
4	843760	1	Cover	
5	863715	1	Gasket	
6	965199	4	Screw	
7	1196982	1	Seal	
7A	11110005	1	Rubber collar	SN-1101052283/XXXXX
8		1	Nipple	SN1101052284/XXXXX-
9	192618	X	Hose	SN-1101052283/XXXXX L=1100mm
10	1674083	1	Pressure cap	
11	861551	1	Plug	
12	479954	1	Nipple, exhaust manifold	
13	942758	2	Nipple	
14	943470	4	Hose clamp	
15	943367	X	Hose	
16	949747	1	Clamp	
17	965545	1	Bracket	
18	952630	1	Clamp	
19	967949	1	Screw	(965175)
20	949278	1	Lock nut	
21	820506	1	Spacer sleeve	
22	965184	1	Screw	
23	946379	1	Screw, timing gear cover	(973083)
31	948092	1	Nipple	
37	862109	1	Nipple, collecting pipe	