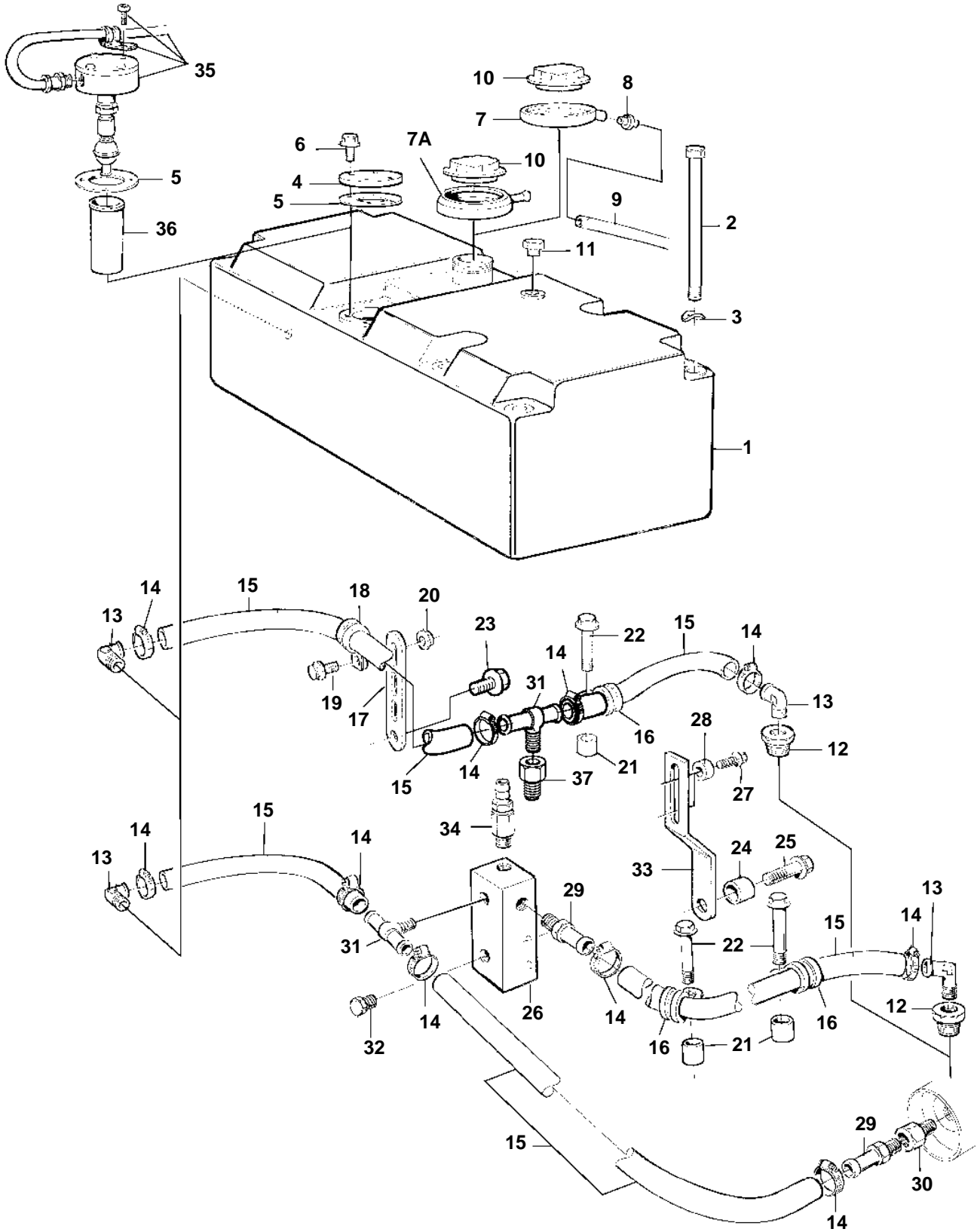


TAMD162C-B



18052

TAMD162C-B

REF	PART NO.	QTY	DESCRIPTION	SEE SEC.	NOTES
1	866767	1	Expansion tank		
2	970966	6	Screw		
3	941908	6	Spring washer		
4	843760	1	Cover		
5	863715	1	Gasket		
6	965199	4	Screw		
7	1196982	1	Seal		
7A	11110005	1	Rubber collar		SN-1101052283/XXXXX
8		1	Nipple		SN1101052284/XXXXX-
9	192618	X	Hose		SN-1101052283/XXXXX L=1100mm
10	1674083	1	Pressure cap		
11	861551	1	Plug		
12	479954	1	Nipple, exhaust manifold		
13	942758	2	Nipple		
14	943470	6	Hose clamp		
15	943367	X	Hose		
16	949747	2	Clamp		
21	820506	2	Spacer sleeve		
22	965184	2	Screw		
24	829653	1	Spacer sleeve		
25	965186	1	Flange screw		
26	866704	1	Bracket		
27	947542	2	Screw		
28	807183	2	Spacer sleeve		
29	942722	2	Nipple		
30	862109	1	Nipple, collecting pipe		
31	948092	1	Nipple		
32	479979	1	Plug		
33	836348	1	Bracket		
34	966871	1	Tap		
35		1	Level sensor	2682	
36		1	Splash pipe	2682	