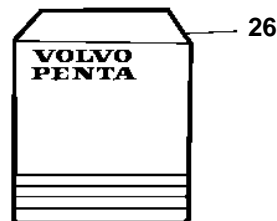
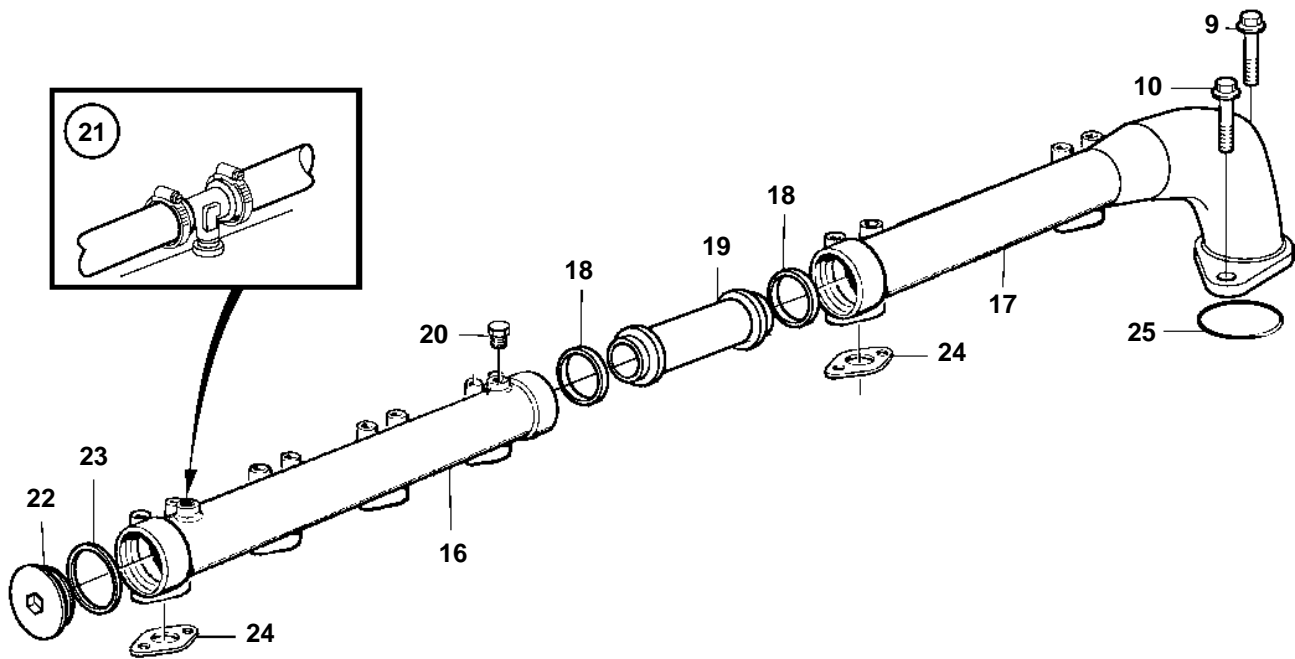
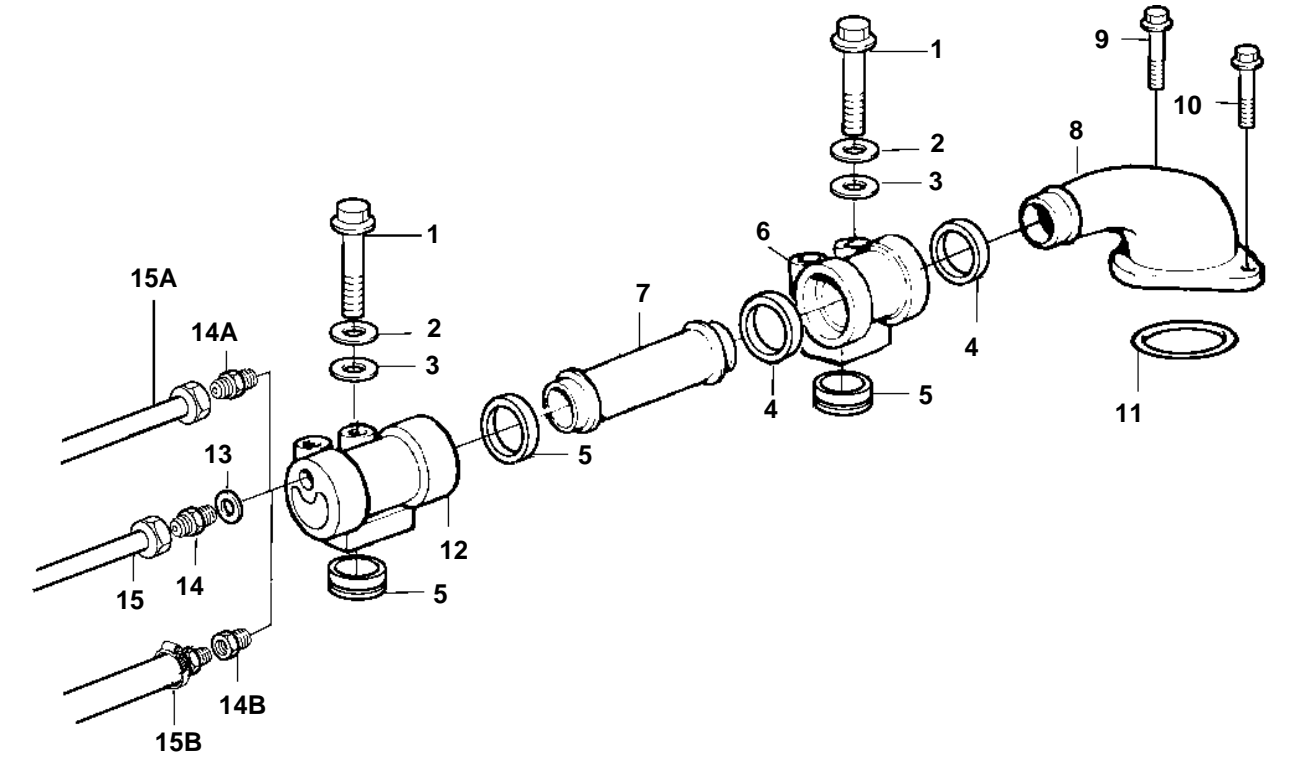


TAMD162A, TAMD162B, TAMD162C, TAMD162C-B



TAMD162A, TAMD162B, TAMD162C, TAMD162C-B

REF	PART NO.	QTY	DESCRIPTION	SEE SEC.	NOTES
1	100222	12	Screw		
2	941907	12	Spring washer		
3	191172	11	Washer		
4	1543572	11	Sealing ring		
5	1543577	6	Sealing ring		
6		5	Connector		Replaced by 1ea rebuilding kit 3826959.
7	1543762	5	Tube		
8		1	Connection pipe		REPL BY 3826149
9	965182	1	Flange screw		L=80mm
10	945444	1	Flange screw		L=25mm
11	925076	1	Ring, exhaust manifold		
12		1	ConnectorM10		STD. Replaced by 1ea rebuilding kit 3826959.
		1	Connector1/8-NPSF		Replaced by 1ea rebuilding kit 3826959.
13	18665	1	Gasket		
14	963947	1	Nipple, M10		STD
14A	946089	1	Nipple, 1/8-NPTF		
14B	862109	1	Nipple, 1/8-NPTF		
15		1	Connectorexansion tank	1116	
15A		1	Connectorexansion tank	1116	
15B		1	Connectorexansion tank	4582	
16	3826461	1	Coolant pipe		Included in rebuilding kit 3826959.
17	3826149	1	Coolant pipe		Included in rebuilding kit 3826959.
18	1543572	2	Sealing ring		Included in rebuilding kit 3826959.
19	1543762	1	Tube		
20	981749	1	Plug		Included in rebuilding kit 3826959.
21			Air vent hose	4582	
22	467367	1	Plug		Included in rebuilding kit 3826959.
23	469328	1	Gasket		Included in rebuilding kit 3826959.
24	3826556	6	Gasket		
25	925076	1	Ring, exhaust manifold		Included in rebuilding kit 3826959.
26	3826959	1	Collecting pipe, rebuilt kit		
				1208	