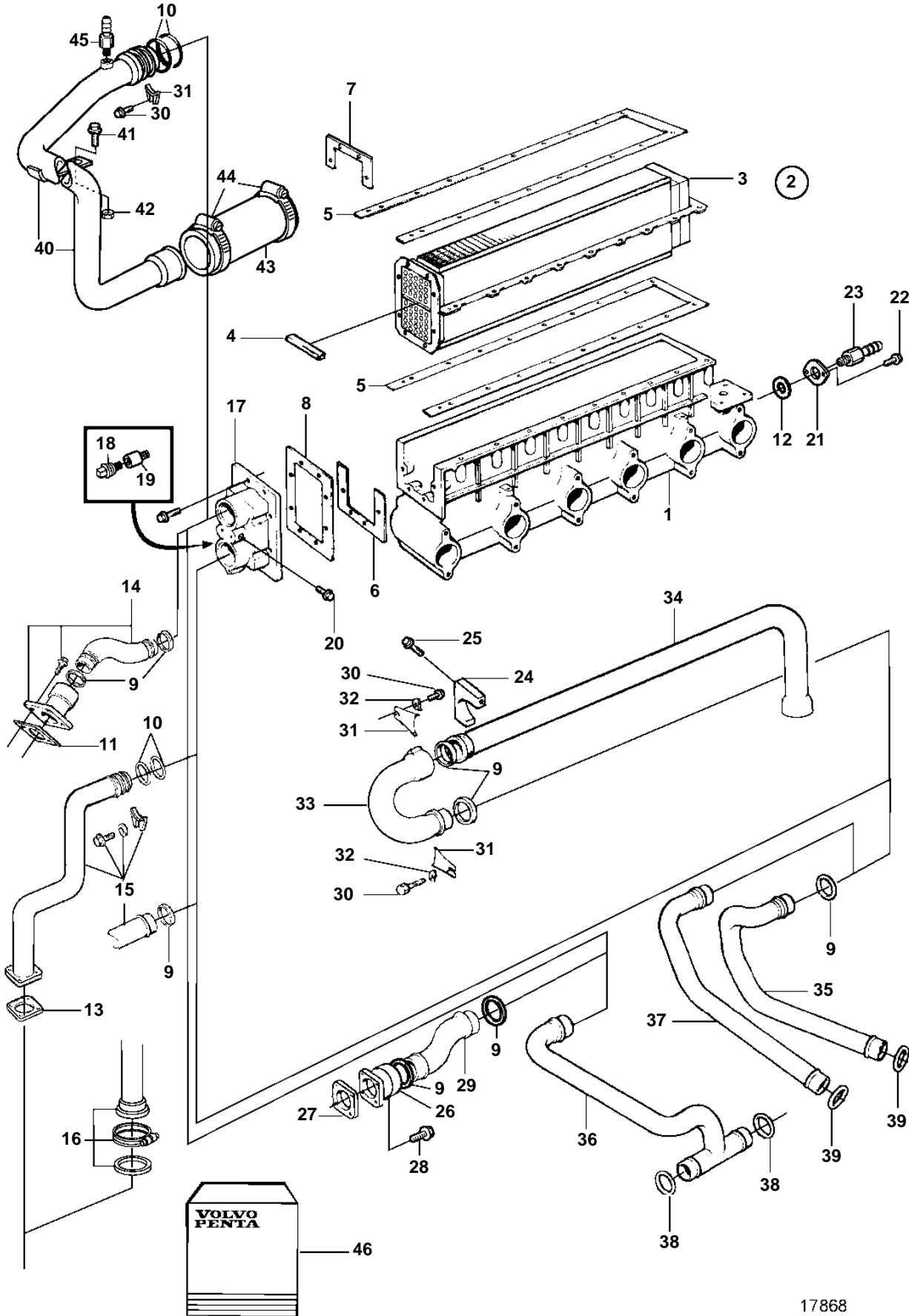


TAMD162A, TAMD162B, TAMD162C, TAMD162C-B



17868

TAMD162A, TAMD162B, TAMD162C, TAMD162C-B

REF	PART NO.	QTY	DESCRIPTION	SEE SEC.	NOTES
1		1	Inlet pipe	4381	
2	876832	1	Intercooler kit		
3		1	· Intercooler		TH=4,0mm
4		1	· · Sealing strip	4381	
5		2	· Gasket	4381	
6		1	· Gasket	4381	
7		1	· Gasket	4381	
8		1	· Gasket	4381	
9	863209	X	· Sealing ring		
10	925072	2	· O-ring		
11	842137	1	· Gasket		
12	863779	1	· Sealing ring		
13	862583	1	· Gasket		
14		1	Connectorheat exchanger	1114	
15		1	Connectorsea water pump		SN-1101051753/XXXXX
				1124	
		1	Connectorsea water pump		SN1101051754/XXXXX-
				1124	
16		1	Connectorsea water pump	1118	
17		1	Cover	4381	
18	838928	1	Plug		
19	838929	1	Zinc anod		
20	180759	1	Plug		
21	864462	1	Cover		
22	946173	2	Flange screw		
23	949918	1	Drain cock		
24	849401	2	Clamp		For engines in with keel cooling.
25	965178	2	Flange screw		For engines in with keel cooling.
26	863229	1	Retainer		For engines in with keel cooling.
27	842137	1	Gasket		For engines in with keel cooling.
28	946173	4	Flange screw		For engines in with keel cooling.
29		1	Coolant pipe		For engines in with keel cooling.
30	944926	3	Flange screw		For engines in with keel cooling.
31	864559	3	Clamp		For engines in with keel cooling.
32	976944	2	Washer		For engines in with keel cooling.
33	3828867	1	Riser		For engines in with keel cooling.
34	849331	1	Coolant pipe, oil cooler-rev.gear		SN-1101050801/XXXXX. For engines in with keel cooling.. For keel cooling with revers. gear MG5111A rerepl. by 1ea coolant pipe 866771, 1ea coolant pipe 866774, 4ea clamp 961673 and 130mm rubber hose 952980.. For keel cooling with revers. gear MG516A rerepl. by 1ea coolant pipe 866771, 1ea coolant pipe 866773, 4ea clamp 961673 and 130mm rubber hose 952980.. For keel cooling with revers. gear IRM350A rerepl. by 1ea coolant pipe 866771, 1ea coolant pipe 866774, 4ea clamp 961673 and 130mm rubber hose 952980.
	866771	1	Coolant pipe, oil cooler-rev.gear		SN1101050802/XXXXX-
35		1	Coolant pipe		Fresh water cooling.
36		1	Coolant pipe		Fresh water cooling.
37		1	Coolant pipe		Radiator cooling.
38	1543572	2	Sealing ring		Fresh water cooling.
39	863231	1	Sealing ring		
40	866579	1	Coolant pipe		For engines in with keel cooling.
41	946329	2	Flange screw		
42	971095	2	Nut		
43	949540	X	Hose, circulation pump		
44	961673	2	Clamp		
45	966871	1	Tap		
46		1	Gasket kit	4381	For mounting of the charge air cooler insert.. For mounting of the inlet manifold.