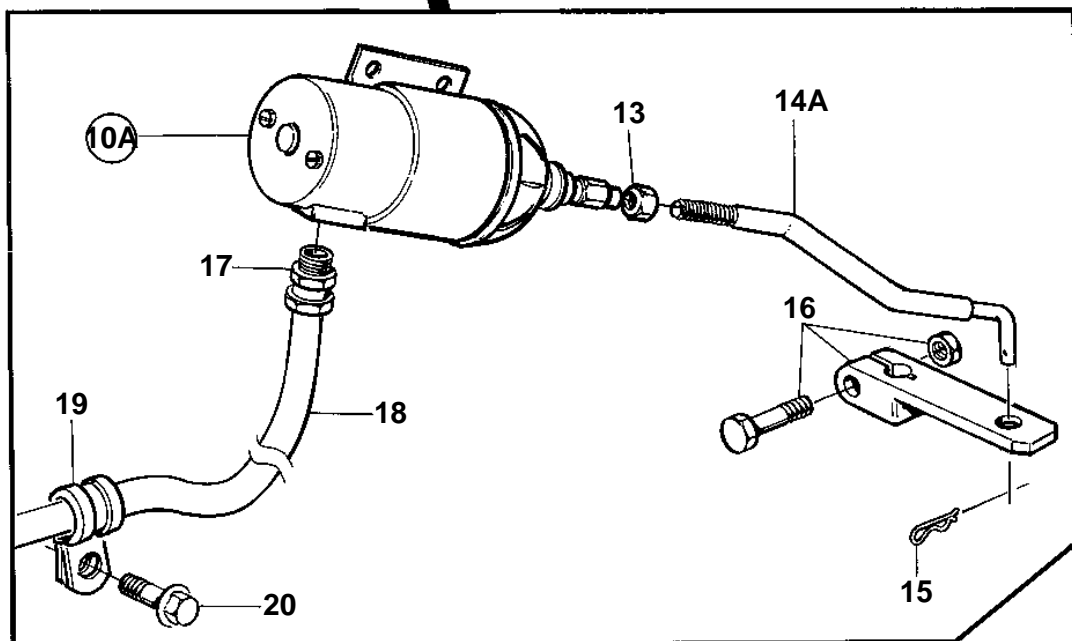
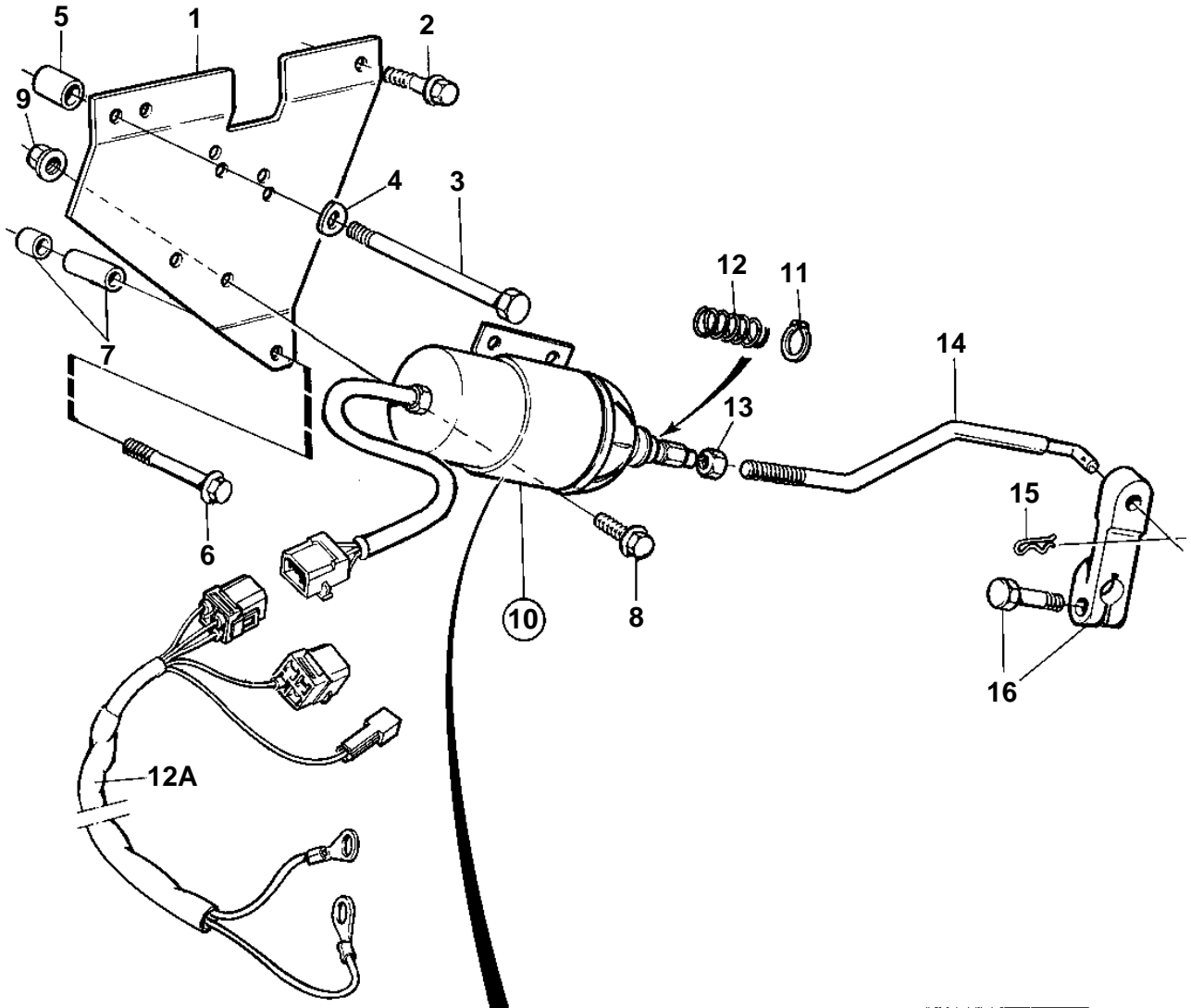


TAMD162A, TAMD162B, TAMD162C, TAMD162C-B



16041

TAMD162A, TAMD162B, TAMD162C, TAMD162C-B

REF	PART NO.	QTY	DESCRIPTION	NOTES
1	849456	1	Bracket	
2	946173	1	Flange screw	
3	968303	1	Screw	
4	941907	1	Spring washer	
5	849095	1	Sleeve	L=16mm
6	965182	1	Flange screw	
7	821539	1	Spacer sleeve	L=14mm
	821541	1	Sleeve	L=37mm
8	946440	4	Flange screw	
9	945408	4	Flange nut	
10		1	Actuator solenoidM8	SN-1101051465/XXXXX. Earlier control solenoids have up to SN-1101051465/XXXXX been replaced by control solenoid kit 876789 + cable harness 873641
	876789	1	Control magnet kit, M8	SN1101051466/XXXXX-. Replaced by control solenoid kit 3826742.
	3826742	1	Control magnet kit, M8	SNXXXXXXXXXX/23614-MARKED 873754
11	914456	1	· Lock ring	
12		1	· Return spring	TH = 1,4mm
		1	· Return spring	TH = 1,6mm. The existing spring should be changed to 847333.
12A	873641	1	Cable harness	SN1101051466/XXXXX-
13	955782	1	Nut, M8	
14	863957	1	Pull rod, M8	
15	907824	1	Cotter pin	
16		1	Connectorfuel inj. pump	SEE GROUP 23