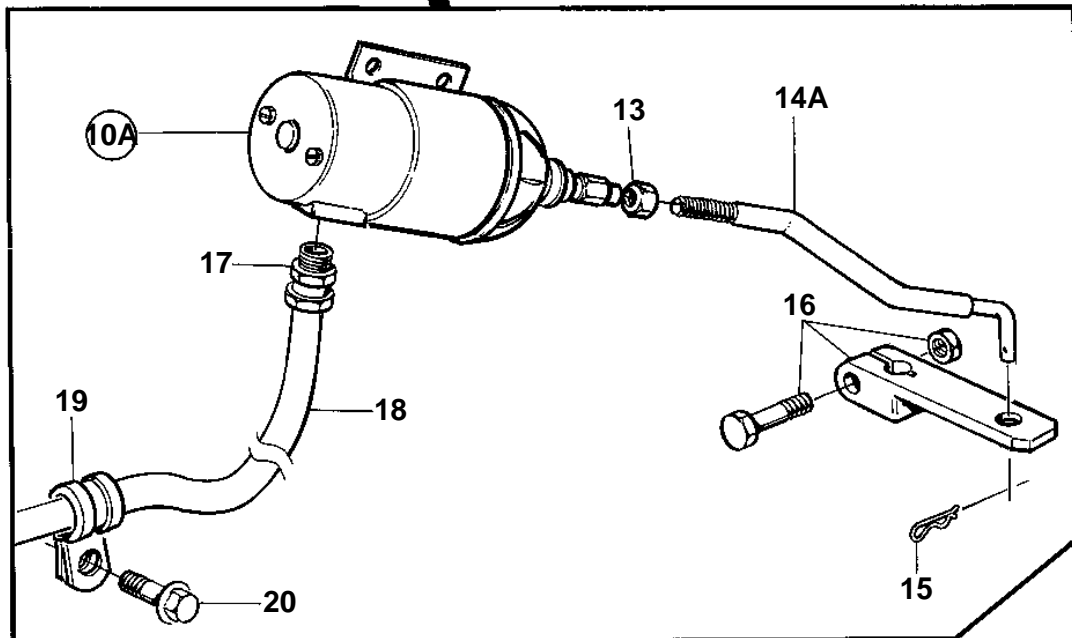
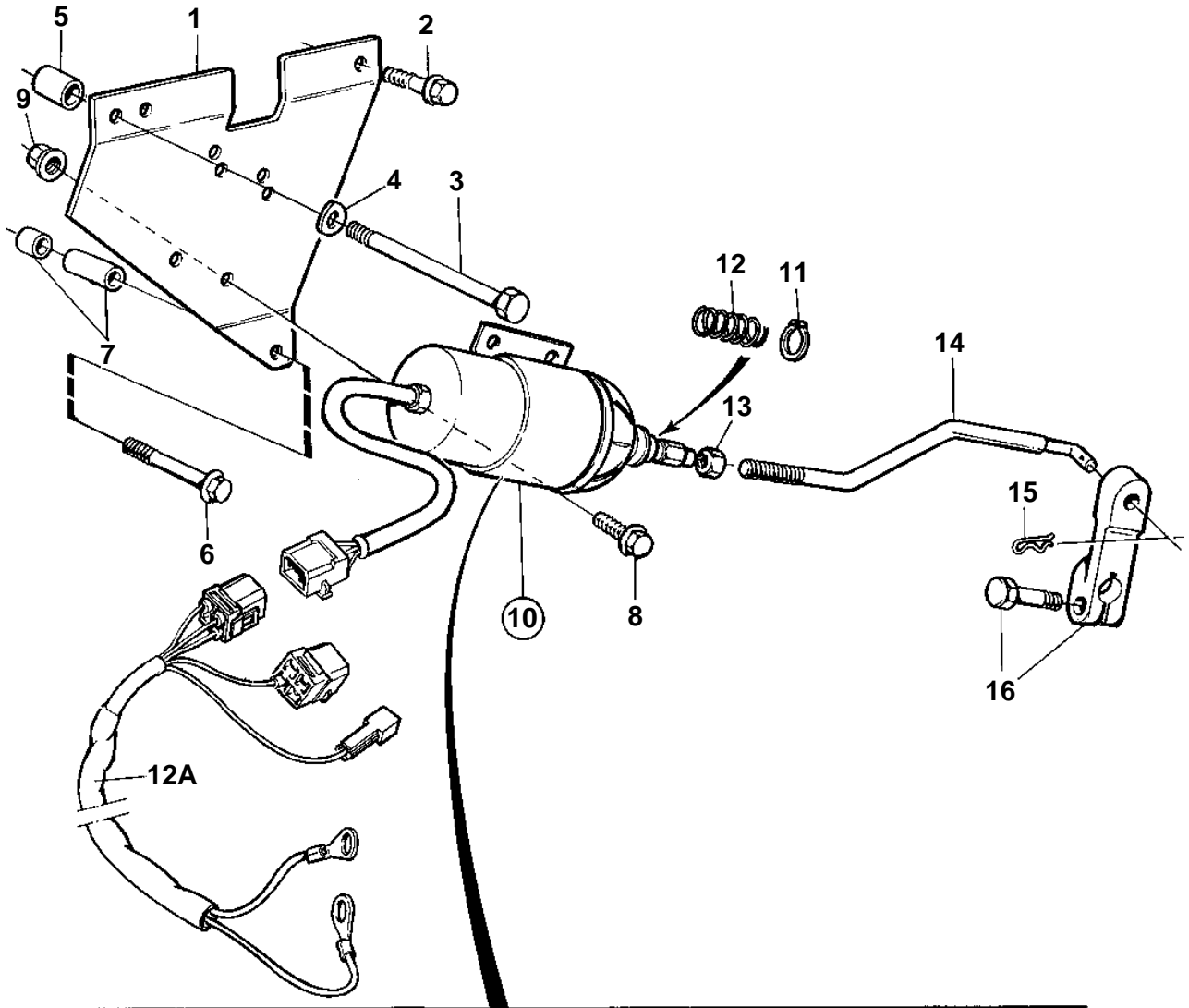


TAMD162A, TAMD162B, TAMD162C, TAMD162C-B



16041

TAMD162A, TAMD162B, TAMD162C, TAMD162C-B

REF	PART NO.	QTY	DESCRIPTION	NOTES
1	849456	1	Bracket	
2	946173	1	Flange screw	
3	968303	1	Screw	
4	941907	1	Spring washer	
5	849095	1	Sleeve	L=16mm
6	965182	1	Flange screw	
7	821541	1	Sleeve	L=37mm
8	946440	4	Flange screw	
9	945408	4	Flange nut	
10A	872825	1	Stop solenoid, 5/16"-UNF	
11	914456	1	· Lock ring	
12		1	· Return spring	TH = 1,4mm
		1	· Return spring	TH = 1,6mm. The existing spring should be changed to 847333.
	847333	1	· Return spring	TH=2,0mm
13	955857	1	Nut, 5/16"-UNF	
14A	865323	1	Pull rod, 5/16"-UNF	
15	907824	1	Cotter pin	
16		1	Connectorfuel inj. pump	SEE GROUP 23
17	844576	1	Cable union	