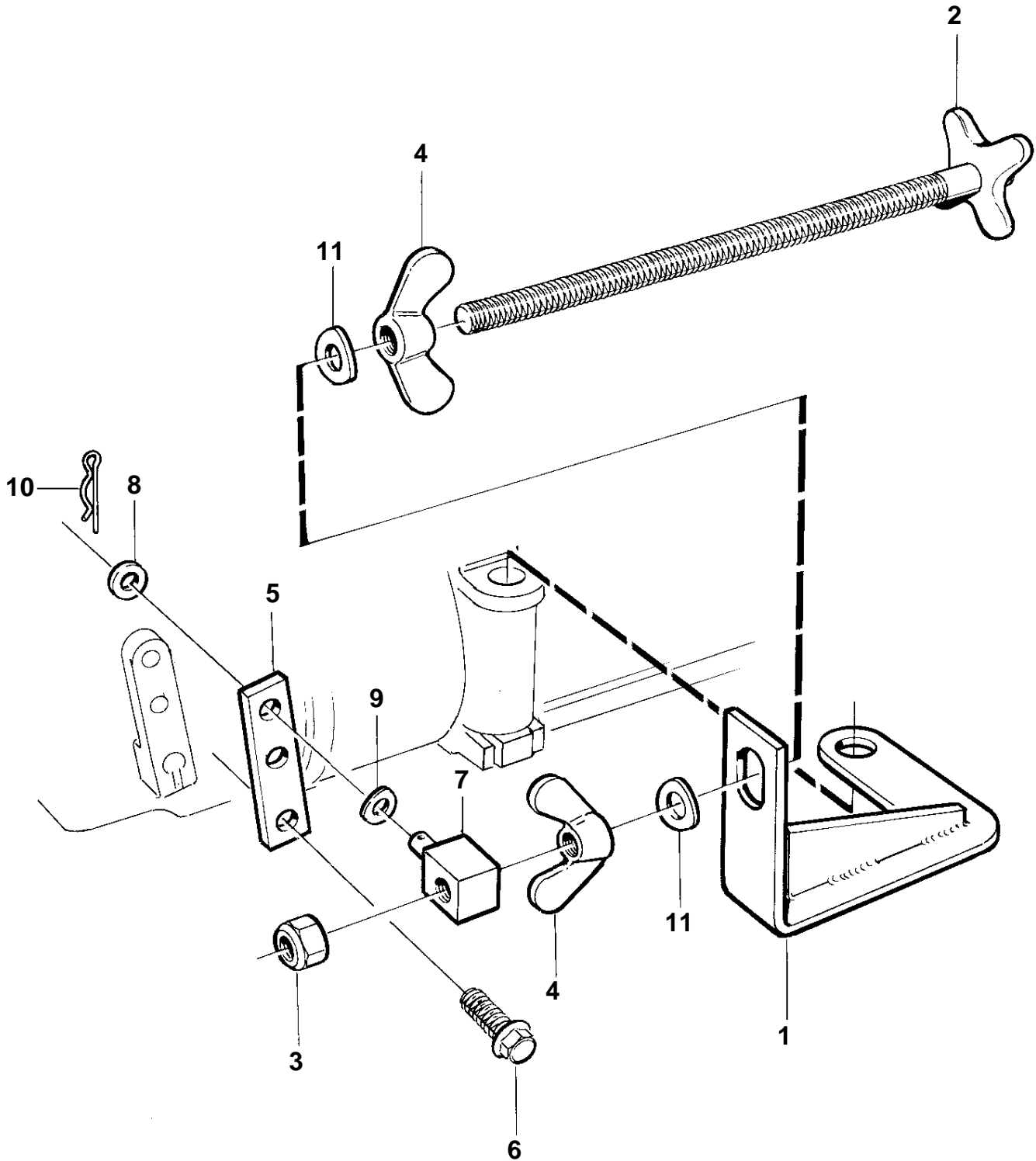


TAMD162A, TAMD162C, TAMD162C-B



TAMD162A, TAMD162C, TAMD162C-B

REF	PART NO.	QTY	DESCRIPTION	NOTES
1	863361	1	Bracket	
2	862775	1	Control rod	
3	963106	1	Nut	
4	192354	2	Wing nut	
5	862480	1	Lever	
6	967949	2	Screw	(965175)
7	848236	1	Cube	
8	955892	1	Washer	
9	949607	1	Spring washer	
10	664822	1	Lock spring	
11	941907	2	Spring washer	