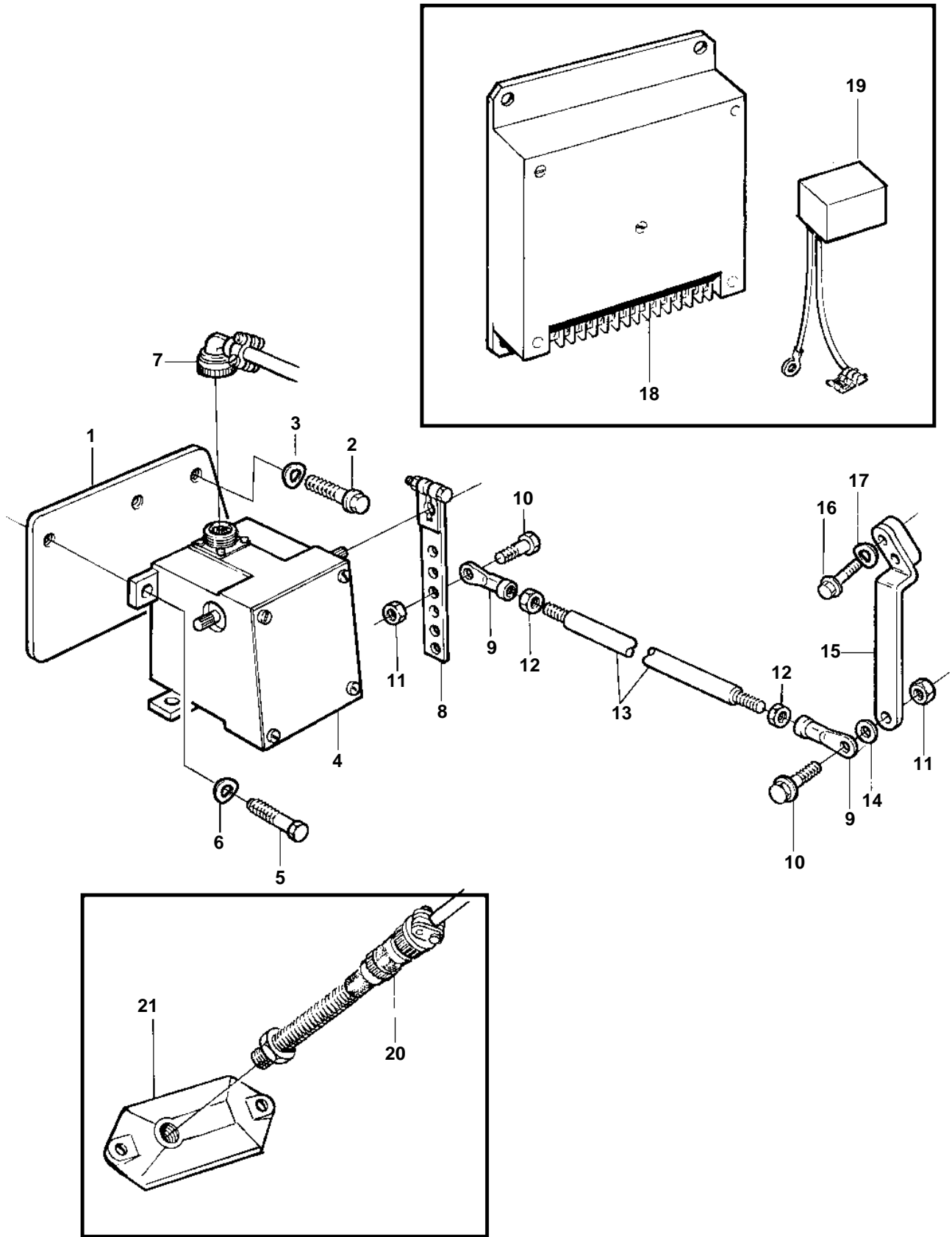


TAMD162A



TAMD162A

REF	PART NO.	QTY	DESCRIPTION	NOTES
1		1	Bracket	
2	946817	3	Screw	
3	940280	3	Spring washer	
4	863616	1	Actuator	
5	955296	2	Screw	
6	941907	2	Spring washer	
7	846580	1	Angle contact	
8	862207	1	Lever	
9	862005	2	Link end	
10	947542	2	Screw	
11	949278	2	Lock nut	
12	955781	2	Nut	
13	864563	1	Control rod	
14	955892	1	Washer	
15		1	Lever	
16	946544	2	Flange screw	
17	949607	2	Spring washer	
18	873979	1	Control unit	GAC. Replace earlier control units.
19	849394	1	Transient protector	
20	863618	1	Impulse sensor	
21	4772169	1	Cover, flywheel cover	