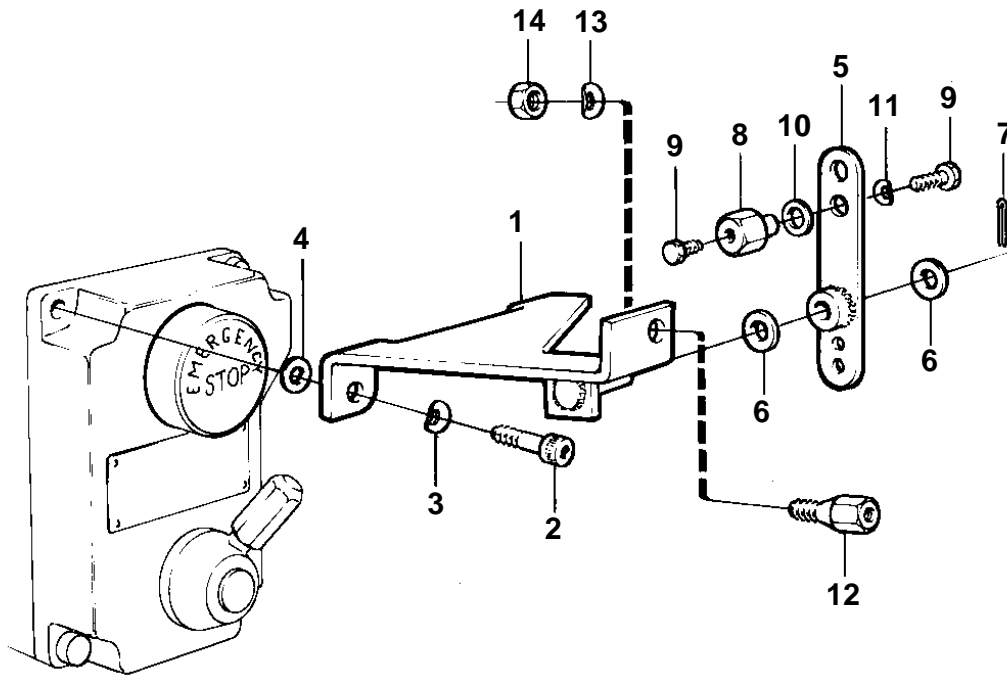


TAMD162A, TAMD162C, TAMD162C-B



5912

TAMD162A, TAMD162C, TAMD162C-B

REF	PART NO.	QTY	DESCRIPTION	NOTES
1	845853	1	Bracket	
2	956081	2	Screw	(955249)
3	941905	2	Spring washer	
4	955892	2	Washer	
5	840124	1	Lever	
6	955894	1	Washer	
	69556	1	Spring washer	
7	907824	1	Cotter pin	
8	804783	1	Cube	
9	955224	2	Screw	
10	960137	1	Washer	
11	941904	1	Spring washer	
12	829070	1	Cable lock	
13	941907	1	Spring washer	
14	955834	1	Nut	