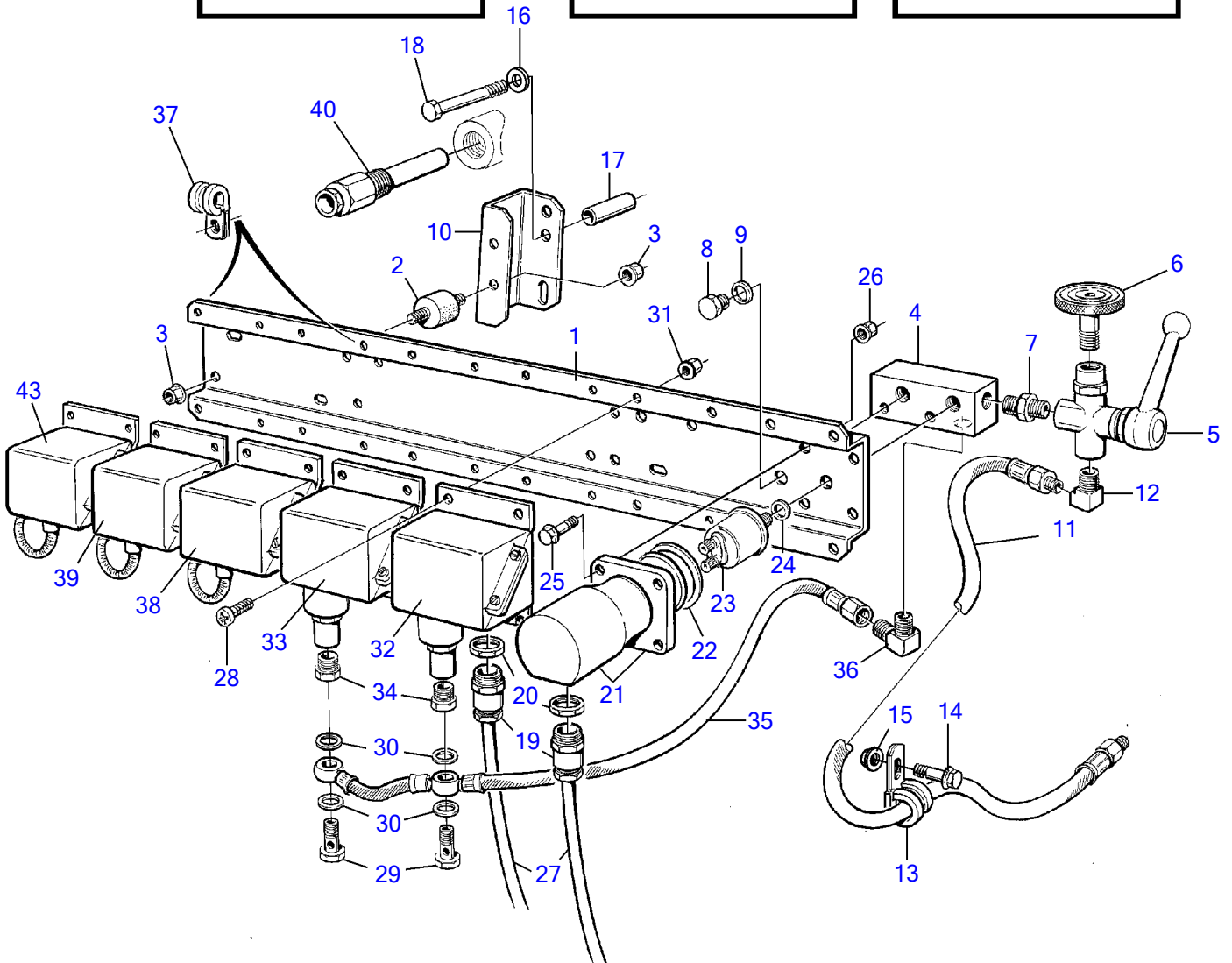
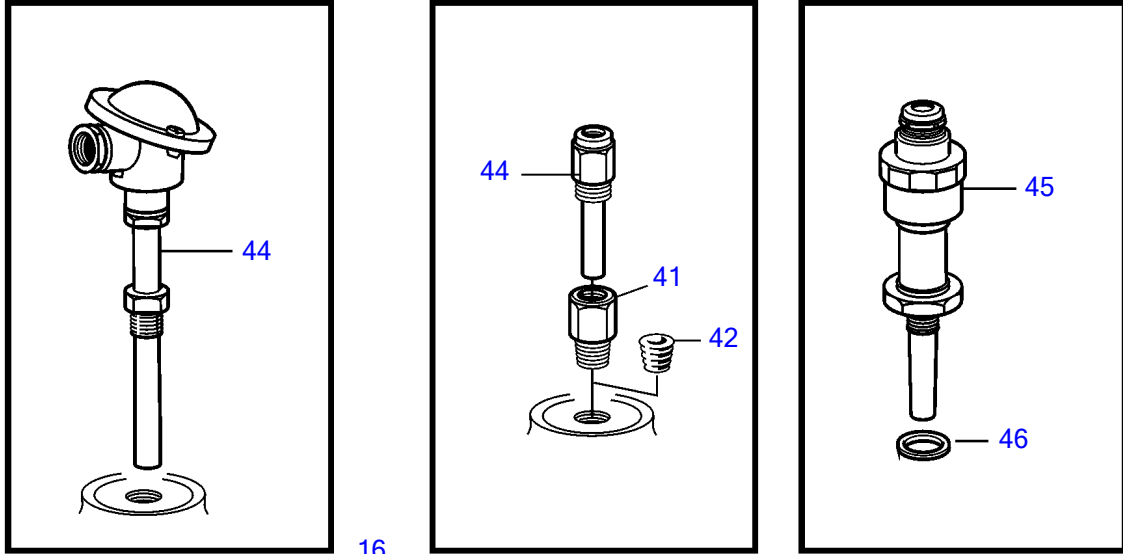


TAMD122A



## TAMD122A

REF	PART NO.	QTY	DESCRIPTION	NOTES
1		1	Bracket	
2	863415	4	Rubber cushion	
3	948645	8	Flange lock nut	
4	866704	1	Bracket	
5	3826337	1	Valve	
6	3826310	1	Flange	
7	191095	1	Nipple	
8	479979	1	Plug	
9	18665	1	Gasket	
10	3826000	2	Bracket	
11	3826006	1	Hose	
12	957106	1	Elbow nipple	
13	952627	1	Clamp	
14	946544	1	Flange screw	
15	949278	2	Flange lock nut	
16	955899	4	Washer	
17	845884	4	Spacer sleeve	
18	970964	4	Hexagon screw	
19	881191	6	Grommet	
20	880244	1	Nut	
21	849670	1	Protecting casing	
22	843584	1	Gasket	
23		1	Pressure sensor, oil-engine	See group 30
24		1	Gasket	See group 30
25	945444	4	Flange screw	
26	963106	4	Lock nut	
27	874854	X	Power cable	Non reinforced ship cable approved by classification societies., 2x1,5mm <sup>2</sup>
28	956093	20	Cross recessed screw	
29	48634	2	Hollow screw	
30	907132	4	Gasket	
31	949278	20	Flange lock nut	
32	873713	1	Pressure monitor, engine oil alarm	2,0 bar
33	873713	1	Pressure monitor, engine oil auto stop	1,5 bar
34	3826034	2	Nipple	
35	3826001	1	Hose	
36	957106	1	Elbow nipple	
37	952627	2	Clamp	
38	873714	1	Thermo monitor, coolant alarm	92°C
	874178	1	Thermometer, exhaust	
39	873714	1	Thermo monitor, coolant auto stop	98°C
40	873715	3	Sleeve	
41	(981426)	1	Reduction nipple	Obsolete part
42		1	Plug	
43	873714	1	Thermo monitor	
44		1	Ect sensor	
45	874179	1	Temperature sensor	
46	947626	1	Gasket	