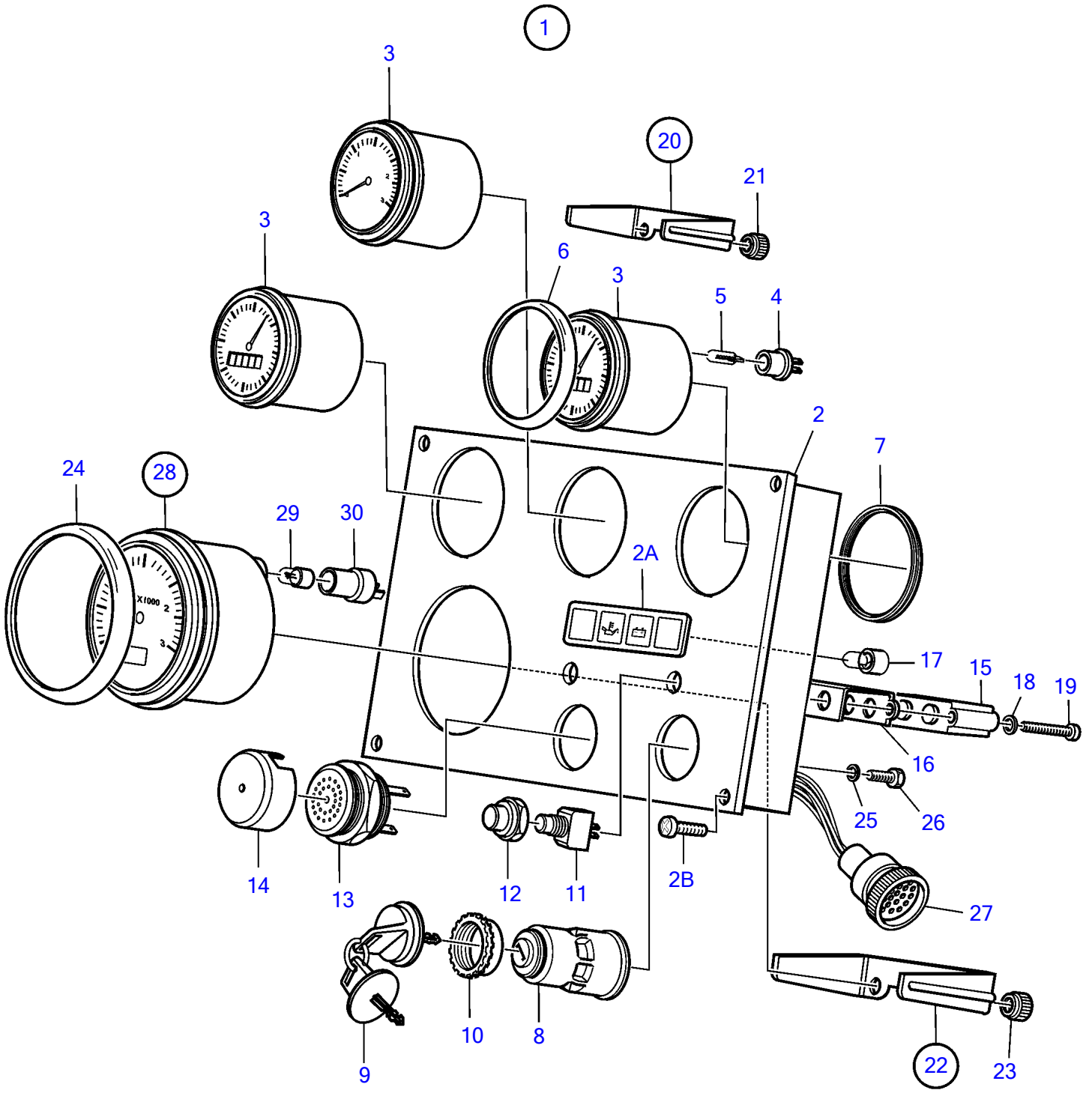


TAMD122A, TMD122A, TAMD122P-A, TAMD122P-B, TAMD122P-C



15483

TAMD122A, TMD122A, TAMD122P-A, TAMD122P-B, TAMD122P-C

REF	PART NO.	QTY	DESCRIPTION	SEE SEC.	NOTES
1	864046	1	Instrument panel		Repl by 873591
2	860182	1	• Instrument panel		
2A	858645	1	• Symbol strip		
2B	828647	4	• Screw		
3	863933	1	• Thermometer		Repl by 873196
	863935	1	• Manometer		Repl by 873198
	863931	1	• Voltmeter		Repl by 873200
4	863945	3	• • Lamp socket		
5	863947	3	• • Bulb		
6	858643	3	• Front ring		D=52mm
7	828803	3	• Guide ring		
8	864277	1	• Starter switch		
9	859953	1	• • Key		State key code when ordering.
			• Bulletin 49-30	49-30-EN	Key P/N 859953
10	859955	1	• • Plastic nut		
11	828584	1	• Toggle switch		Test alarm
	828585	1	• Toggle switch		Instr. light
12	828586	2	• Nut		
13	828587	1	• Buzzer		
14	858795	1	• Protecting casing		
15	873737	1	• Electronic unit		(828783)
16	828784	1	• Reflector		
17	828818	4	• Bulb		24V
18	941904	2	• Spring washer		
19	(941615)	2	• Cross recessed screw		Obsolete part
24	858644	1	• Front ring		
25	941904	1	• Spring washer		
26	949947	1	• Cross recessed screw		
27	828646	1	• Cable trunk		
28	864021	1	• Tachometer		2600 rpm repl by 854910
	854910	1	• Tachometer		2600 rpm