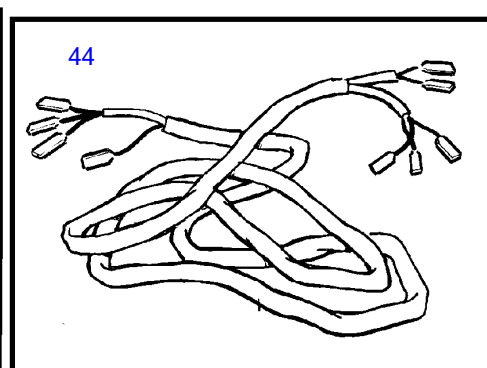
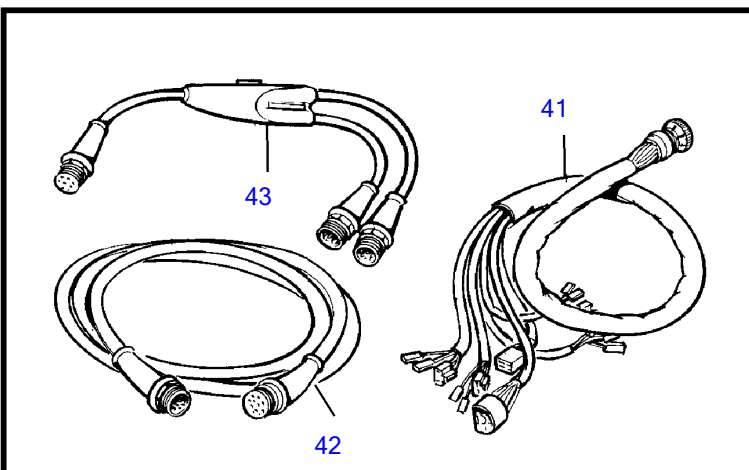
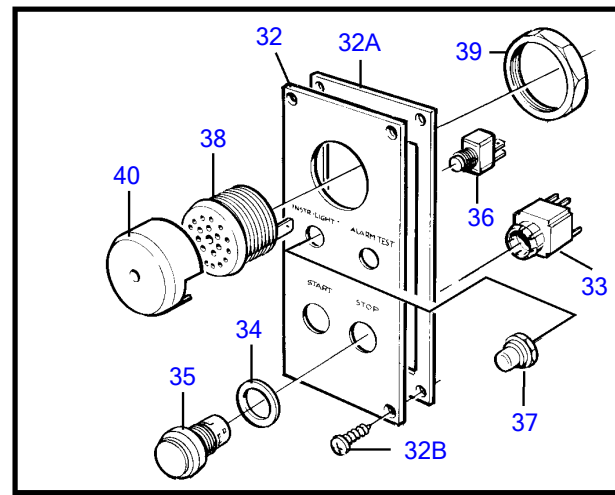
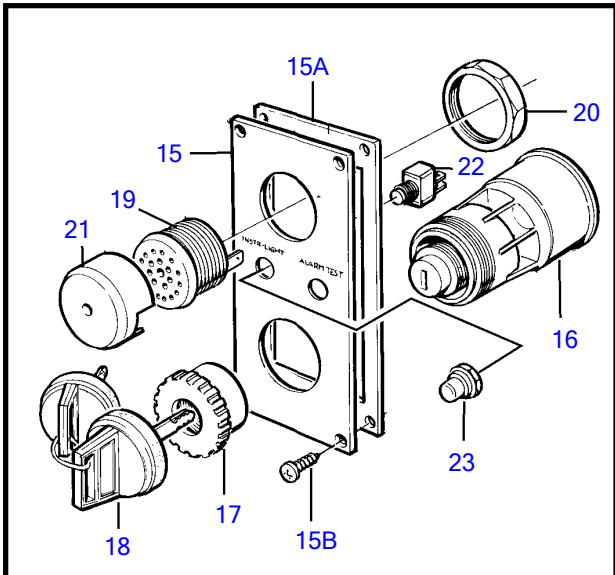
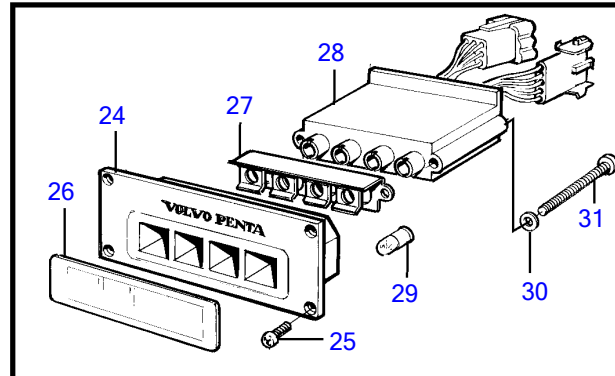
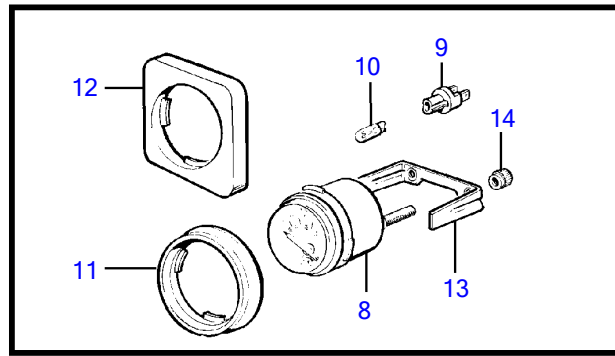
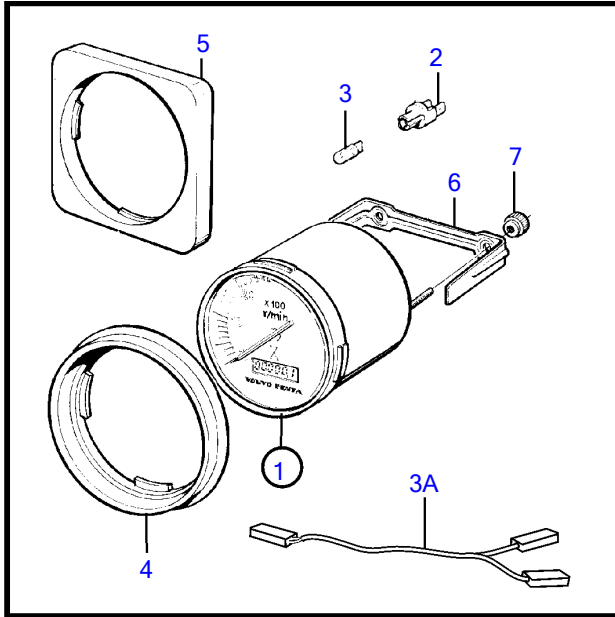


TAMD122A, TMD122A, TAMD122P-A, TAMD122P-B



19603

TAMD122A, TMD122A, TAMD122P-A, TAMD122P-B

REF	PART NO.	QTY	DESCRIPTION	SEE SEC.	NOTES
1	873585	1	Tachometer kit		2600 rpm
	873669	1	Tachometer kit		2600 rpm
	873995	1	Tachometer kit		2600 rpm
	874496	1	Tachometer kit		
2	863945	1	• Lamp socket		
3	863947	1	• Bulb		
3A		1	Cable kit		
4	873517	1	Ring		Alt., D=72mm
5	873210	1	Instrument frame		Alt, D=75mm
6	873208	1	Brace kit		
7		2	• Nut		
8	873206	1	Turbo pressure gauge		
	873196	1	Thermometer		40-120°C
	873198	1	Oil pressure gauge		10x100kPa
	873202	1	Oil pressure gauge, reverse gear		30x100kPa
	873200	1	Voltmeter		
9	863945	1	• Lamp socket		
10	863947	1	• Bulb		
11	858643	1	Front ring		Alt, D=52mm
12	856822	1	Instrument frame		Alt, D=52mm
13	873207	1	Brace kit		
14		2	• Nut		
15	873271	1	Panel		
15A	873273	1	Gasket		
15B	828647	4	Screw		
16	3587072	1	Starter switch		
17	859955	1	• Plastic nut		
18	859953	2	• Key		State key code when ordering.
			• Bulletin 49-30	49-30-EN	Key P/N 859953
19	828587	1	Buzzer		
20		1	• Nut		
21	858795	1	Protecting casing		
22	828584	1	Toggle switch		Alarm test
	828585	1	Toggle switch		Instr. light
23	828586	2	Nut		
24	858876	1	Symbol panel		
25	828647	4	• Screw		
26	858645	1	• Symbol strip		For: coolant temperature, oil pressure, battery charging and preheater.
	873559	1	Symbol strip		For: oil level, coolant level, water in fuel filter and extra alarm.
27	828784	1	Reflector		
28	873737	1	Electronic unit		For: coolant temperature, oil pressure, battery charging and preheater.
	873211	1	Electronic unit		For: oil level, coolant level, water in fuel filter and extra alarm.
29	828818	4	Bulb		
30	941904	2	Spring washer		
31	(941615)	2	Cross recessed screw		Obsolete part
32	873272	1	Panel		
32A	873273	1	Gasket		
32B	828647	4	Screw		
33	876950	1	Push button kit		Replaced by 1ea push button 876950., Start, green (873274)
	876950	1	Push button kit		Replaced by 1ea push button 876950., Stop, red (873275)
34		2	• Gasket		
35		2	• Push button		
36	828584	1	Toggle switch		Alarm test
	828585	1	Toggle switch		Instr. light
37	828586	2	Nut		
38	828587	1	Buzzer		
39		1	• Nut		
40	858795	1	Protecting casing		
41	873579	1	Wiring harness		Main station
	873580	1	Wiring harness		Fly Bridge
42	846648	X	Extension cable'verl		L=3.0m

