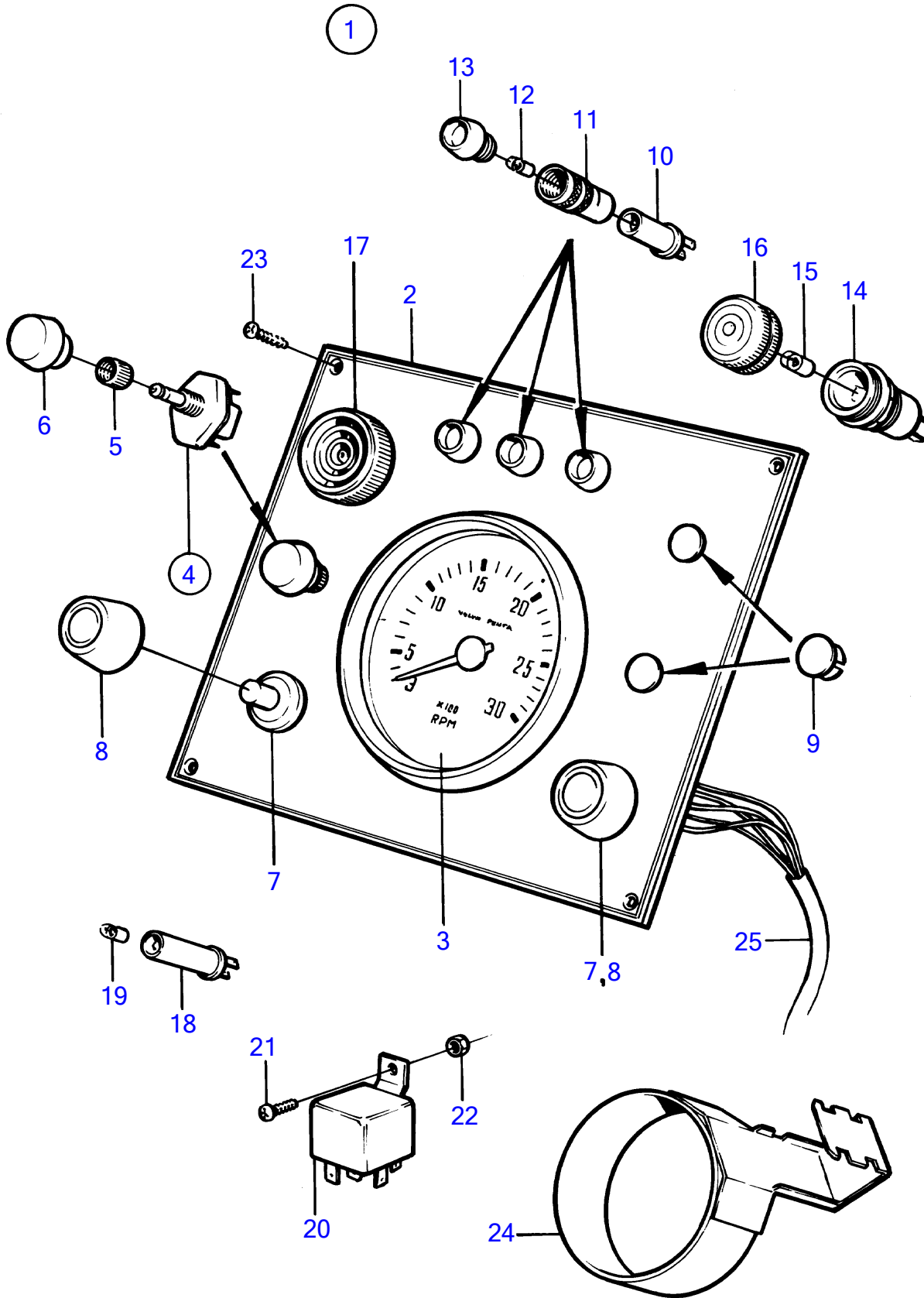


TAMD122A, TMD122A



7435

TAMD122A, TMD122A

REF	PART NO.	QTY	DESCRIPTION	SEE SEC.	NOTES
1	873812	1	Instrument panel		24V
2	(837540)	1	• Instrument plate		Obsolete part
3	842563	1	• Tachometer		
4	(875819)	2	• Switch		(837725), Obsolete part
5	843002	2	• • Nut		
6	837726	2	• • Knob		
7	843684	2	• Button		
8	837533	2	• Rubber cap		
9	845071	2	• Plug		
10	808175	4	• Lamp socket		
11	819350	4	• Sleeve		
12	182059	4	• Bulb		
13	827766	3	• Lens		Orange
		1	• Lens		Blue
14	(355777)	1	• Retainer		Obsolete part
15	182034	1	• Bulb		
16	(1561793)	1	• Lamp		Repl by blue lens 862150 + sleeve 819350 + bulb holder 808175 and bulb 182059., Orange, Obsolete part
17	827597	1	• Horn unit		
18	808175	1	• Lamp socket		
19	182059	1	• Bulb		
20	873611	1	• Relay		(837878)
21	956076	1	• Cross recessed screw		
22	949874	1	• Flange lock nut		(946577)
23	944540	4	• Screw		
24	(837860)	1	• Anchorage		Obsolete part
25		X	electrical materials	1963	