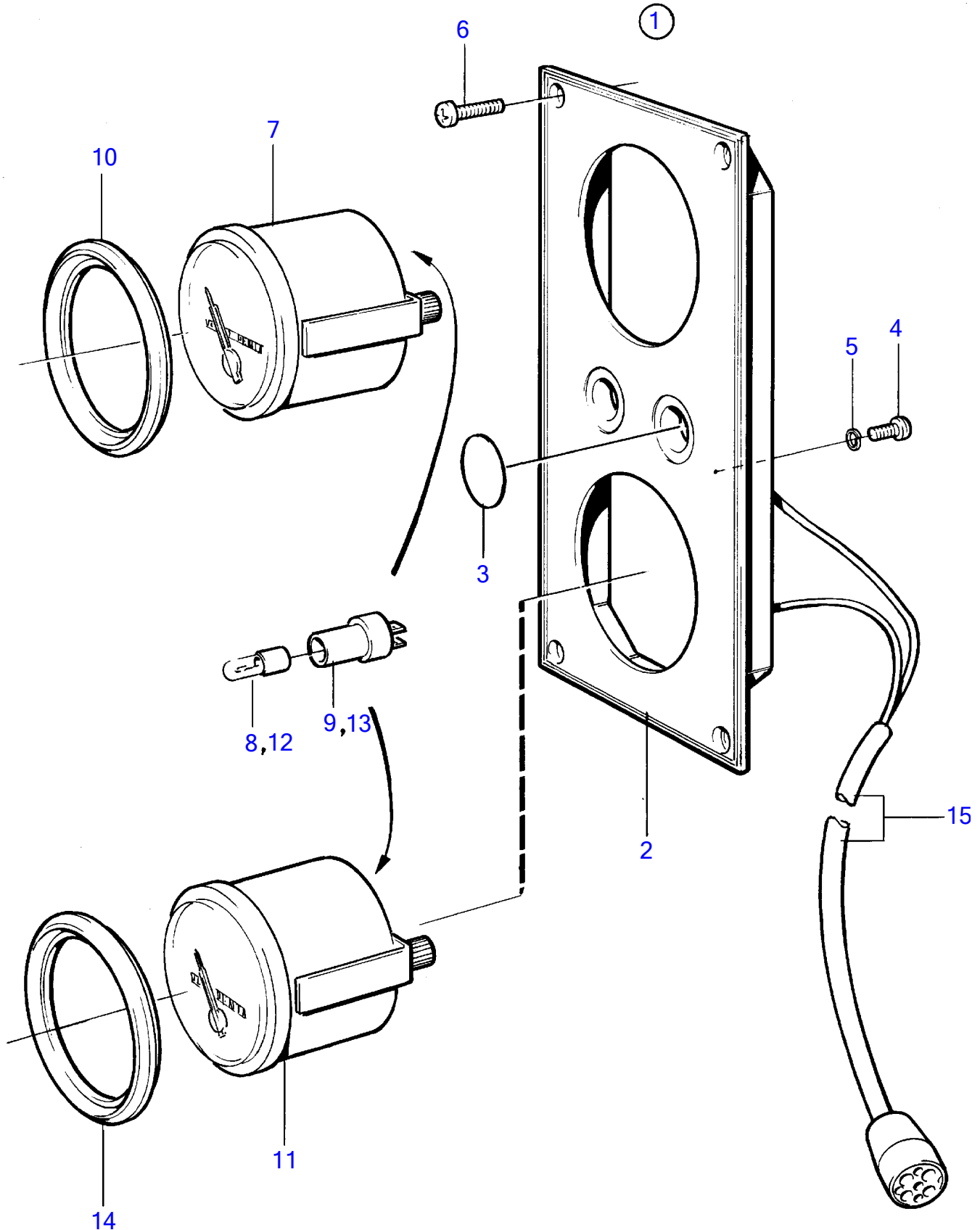


TAMD122A, TMD122A, TAMD122P-A, TAMD122P-B



TAMD122A, TMD122A, TAMD122P-A, TAMD122P-B

REF	PART NO.	QTY	DESCRIPTION	SEE SEC.	NOTES
1	(864050)	1	Instrument panel		White coloured stripe., Obsolete part
2	(858874)	1	• Instrument panel		Obsolete part
3	828607	2	• • Cover plate		
4	949947	1	• • Cross recessed screw		
5	941904	1	• • Spring washer		
6	828647	4	• • Screw		
7	863937	1	• Manometer		Replaced by 873202+873207
8	863947	1	• • Bulb		For instruments of early production should white bulb 182059 and bulb holder 808175 be mounted., Red
9	863945	1	• • Lamp socket		For instruments of early production should white bulb 182059 and bulb holder 808175 be mounted.
10	858643	1	• Front ring		
11	863939	1	• Turbo pressure gauge, 0-2bar		Replaced by 873204+873207
12	863947	1	• • Bulb		For instruments of early production should white bulb 182059 and bulb holder 808175 be mounted., Red
13	863945	1	• • Lamp socket		For instruments of early production should white bulb 182059 and bulb holder 808175 be mounted.
14	858643	1	• Front ring		
15		1	Cable trunk, electrical materials	1963	Turbocharge-reverse gear.