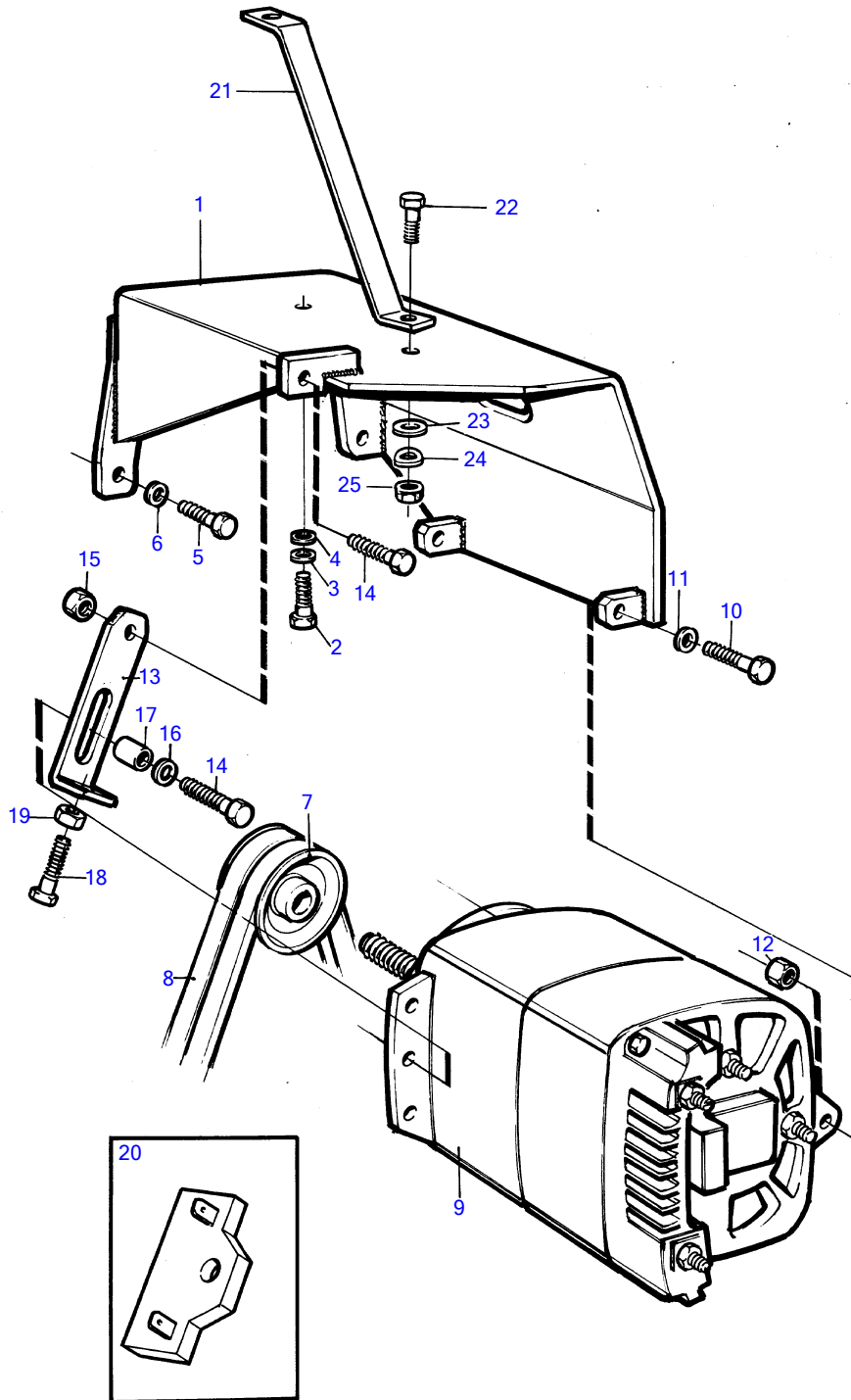


TAMD122A, TMD122A, TAMD122P-A, TAMD122P-B



15371

TAMD122A, TMD122A, TAMD122P-A, TAMD122P-B

REF	PART NO.	QTY	DESCRIPTION	SEE SEC.	NOTES
1	849764	1	Alternator bracket		
2	940115	2	Hexagon screw		
3	942336	2	Spring washer		
4	960142	2	Washer		
5	955536	4	Hexagon screw		
6	942336	4	Spring washer		
7	849773	1	Pulley		
8	862488	1	V-belt		
9	(849748)	1	Alternator		Obsolete part
	(3803499)	1	Alternator, exch, exch		Obsolete part
			.		
			.	596	
10	955564	2	Hexagon screw		
11	955898	2	Washer		
12	950356	2	Lock nut		
13	849791	1	Tensioner		
14	955562	2	Hexagon screw		
15	950356	1	Lock nut		
16	940280	1	Spring washer		
17	823196	1	Spacer sleeve		
18	949366	1	Hexagon screw		
19	971071	1	Hexagon nut		
20	(863400)	1	Control resistance		Obsolete part
21	(849792)	1	Stay, therm. housing		KC, Obsolete part
22	955535	1	Hexagon screw		
23	960148	1	Washer		
24	941908	1	Spring washer		
25	955827	1	Hexagon nut		