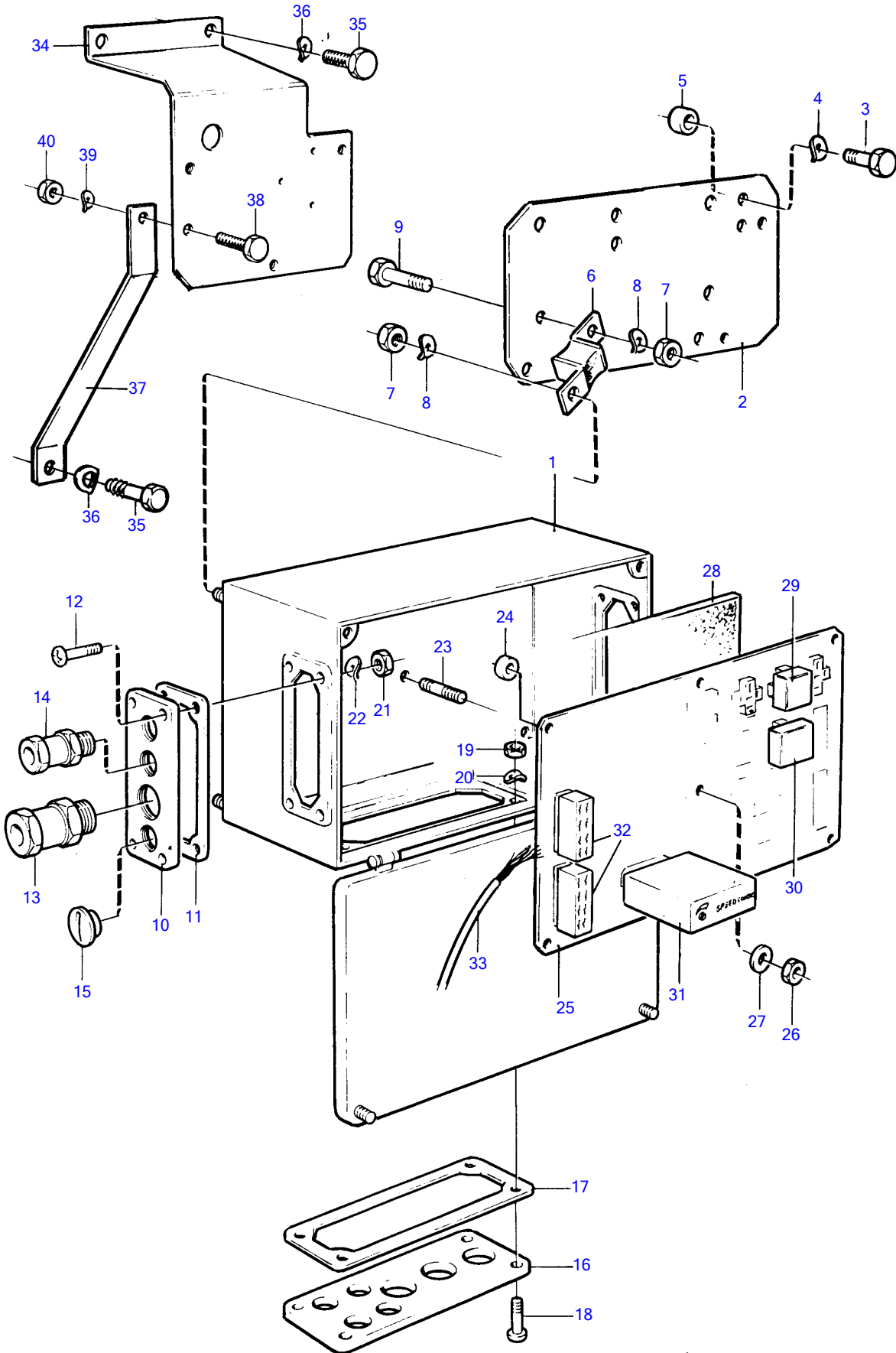


TAMD122A, TMD122A



16068

TAMD122A, TMD122A

REF	PART NO.	QTY	DESCRIPTION	SEE SEC.	NOTES
1	843536	1	Box		Repl by 874647
	874647	1	Electrical distribut		
2	(843562)	1	Attaching plate		Obsolete part
3	940142	3	Hexagon screw		
4	941907	3	Spring washer		
5	807183	3	Spacer sleeve		
6	845513	4	Vibration damper		
7	955782	8	Hexagon nut		
8	941907	8	Spring washer		
9	955295	4	Hexagon screw		
10	(843094)	2	Pipe flange		Obsolete part
11	843578	2	Gasket		
12	956093	8	Cross recessed screw		
13	881193	2	Grommet		
14	822327	2	Grommet		
15	(843902)	X	Plug		Obsolete part
	843903	X	Plug		
	843904	X	Plug		
16	(843577)	1	Pipe flange		Obsolete part
17	(843579)	1	Gasket		Obsolete part
18	(956114)	4	Cross recessed screw		Obsolete part
19	955782	4	Hexagon nut		
20	941907	4	Spring washer		
21	955781	8	Hexagon nut		
22	941906	8	Spring washer		
23	(924045)	6	Stud		Obsolete part
24	(962673)	6	Washer		Obsolete part
25	843375	1	Circuit board		
26	963104	6	Lock nut		
27	(962673)	12	Washer		Obsolete part
28	(845463)	1	Damping element		Obsolete part
29	877306	15	Relay		(8153600)
30	842987	1	Voltage monitor	2304	
31	843910	1	Race gard	2175	
32	944077	4	Housing		
33		X	electrical materials	1963	
34	846819	1	Bracket		
35	940114	3	Hexagon screw		
36	942336	3	Spring washer		
37	846911	1	Bracket		
38	955524	1	Hexagon screw		
39	941907	1	Spring washer		
40	955826	1	Hexagon nut		