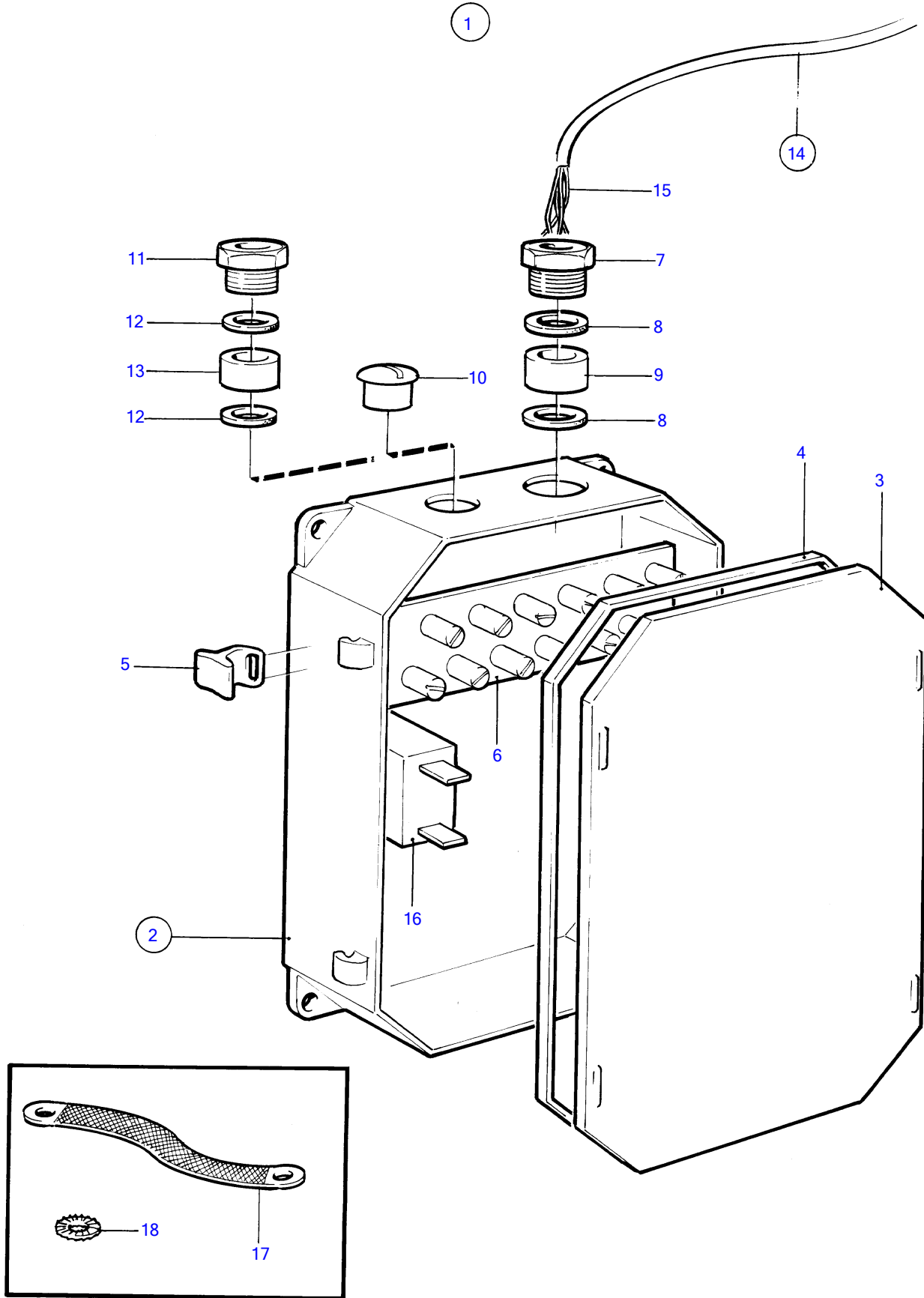


TAMD122A, TMD122A, TAMD122P-A, TAMD122P-B, TAMD122P-C



TAMD122A, TMD122A, TAMD122P-A, TAMD122P-B, TAMD122P-C

REF	PART NO.	QTY	DESCRIPTION	SEE SEC.	NOTES
1		1	Electrical distribut		Single pole.
2	(847078)	1	• Clutch housing		Obsolete part
3	847077	1	• • Cardboard tube		
4	(1582940)	1	• • Gasket		Obsolete part
5	(1504888)	4	• • Latch		Obsolete part
6	(1582941)	2	• • Current bar		Obsolete part
7	(1585425)	1	• • Grommet		Obsolete part
8	(1585452)	2	• • Gasket		Obsolete part
9	(1585435)	1	• • Washer		Obsolete part
10	(843902)	3	• • Plug		Obsolete part
11	(1585424)	3	• Grommet		Obsolete part
12	(1585432)	6	• Washer		Obsolete part
13	1585449	3	• Gasket		Obsolete part
14		X	• Cable trunk		
15		X	• • cables and terminals	1963	
16	837723	1	• Resistor		
17	948881	1	• Chassis ground cable		(11411)
18	940109	2	• Toothed washer		