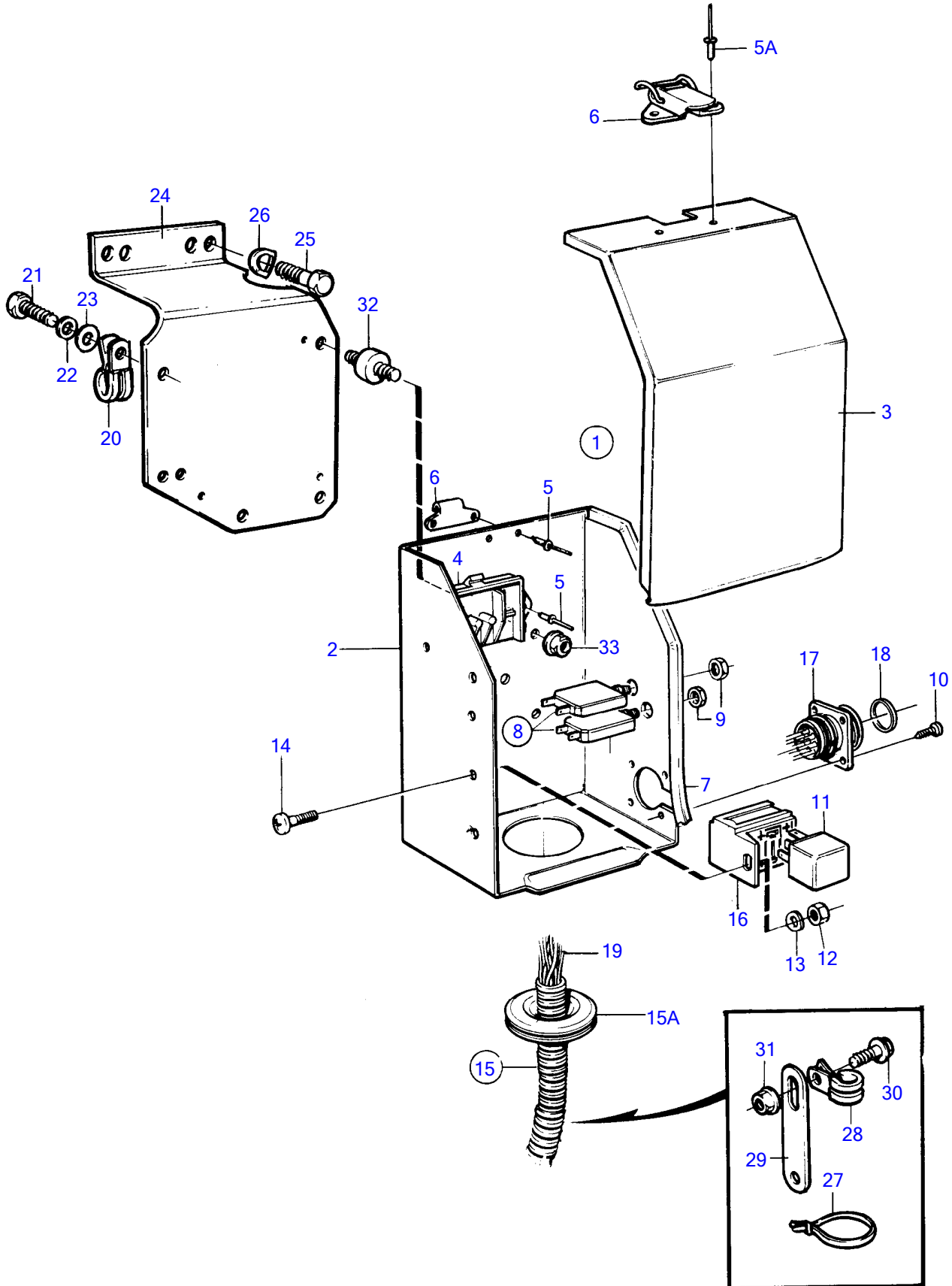


TAMD122P-A



TAMD122P-A

REF	PART NO.	QTY	DESCRIPTION	SEE SEC.	NOTES
1	(3825254)	1	Electrical distribut		Late type, Obsolete part
2		1	• Box		
3	(3825253)	1	• Cardboard tube		Obsolete part
4	(1234048)	1	• Bottom section		Obsolete part
5	942670	2	• Blind rivet		
5A	965592	4	• Blind rivet		
6	3825257	1	• Snap lock		
7	(1214306)	1	• Stop dog		Obsolete part
8	966689	2	Fuse		
9		2	• Nut		
10	955119	4	Cross recessed screw		
11	877306	2	Relay		(8153600)
12	955780	4	Hexagon nut		
13	941905	4	Spring washer		
14	(956075)	4	Cross recessed screw		Obsolete part
15	873631	1	Wiring harness		
15A	943920	1	• Plug		
16	977184	2	• Housing		
17	846611	1	• Housing		
18	846615	1	• Sealing ring		
19		X	• electrical materials	1963	
		X	• electrical materials	1964	
		X	• electrical materials	1965	
20	947191	1	Clamp		
21	955294	1	Hexagon screw		
22	941907	1	Spring washer		
23	976944	1	Washer		(960141)
24	3825401	1	Bracket		
25	940114	2	Hexagon screw		
26	942336	2	Spring washer		
27	948211	X	Cable tie		
28	947827	5	Clamp		
29	965539	2	Bracket		
30	945414	2	Flange screw		
31	949278	2	Flange lock nut		
32	3574797	3	Vibration damper		
33	949278	1	Flange lock nut		