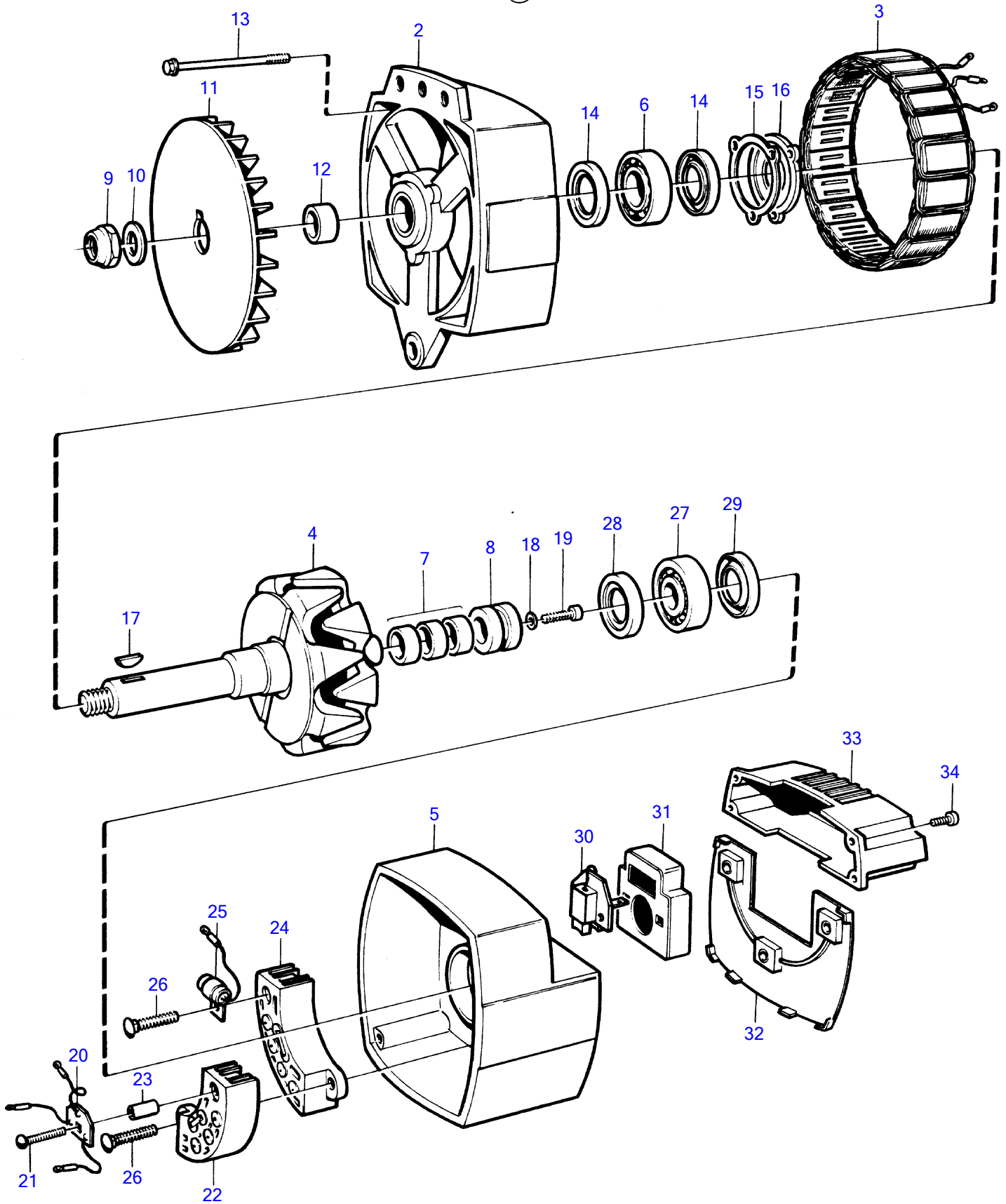


TAMD122A, TMD122A, TAMD122P-A, TAMD122P-B, TAMD122P-C

1



TAMD122A, TMD122A, TAMD122P-A, TAMD122P-B, TAMD122P-C

| REF | PART NO. | QTY | DESCRIPTION | NOTES |
|-----|-----------|-----|------------------------|---|
| 1 | (849748) | 1 | Alternator | For 24 voltage electric system., 28V, 100A, Obsolete part |
| | (3803499) | 1 | Alternator, exch, exch | For 24 voltage electric system., 28V, 100A, Obsolete part |
| 2 | | 1 | • End plate | |
| 3 | (862506) | 1 | • Stator | Obsolete part |
| 4 | (862507) | 1 | • Rotor | Obsolete part |
| 5 | | 1 | • End plate | |
| 6 | 862509 | 1 | • Bearing | |
| 7 | 862510 | 1 | • Bearing | |
| 8 | 862511 | 1 | • Slip ring | |
| 9 | | 1 | • Nut | |
| 10 | | 1 | • Washer | |
| 11 | | 1 | • Fan | |
| 12 | | 1 | • Spacer | |
| 13 | | 4 | • Screw | |
| 14 | (862520) | 1 | • Sealing | Obsolete part |
| 15 | 862521 | 1 | • Retainer | |
| 16 | | 1 | • Retainer | |
| 17 | | 1 | • Wedge | |
| 18 | | 2 | • Washer | |
| 19 | | 1 | • Screw | |
| 20 | (862512) | 1 | • Diode | Obsolete part |
| 21 | | 1 | • Screw | |
| 22 | (862513) | 1 | • Rectifier plate | Pos, Obsolete part |
| 23 | | 1 | • Sleeve | |
| 24 | 862514 | 1 | • Rectifier plate | Neg |
| 25 | | 1 | • Kit | |
| 26 | | 2 | • Screw | |
| 27 | 862516 | 1 | • Bearing | |
| 28 | (862524) | 1 | • Seal | Obsolete part |
| 29 | (862524) | 1 | • Seal | Obsolete part |
| 30 | 862517 | 1 | • Brush set | |
| 31 | | 1 | • Cover | |
| 32 | | 1 | • Insulator | |
| 33 | 862526 | 1 | • Governor | |
| 34 | | 2 | • Screw | |