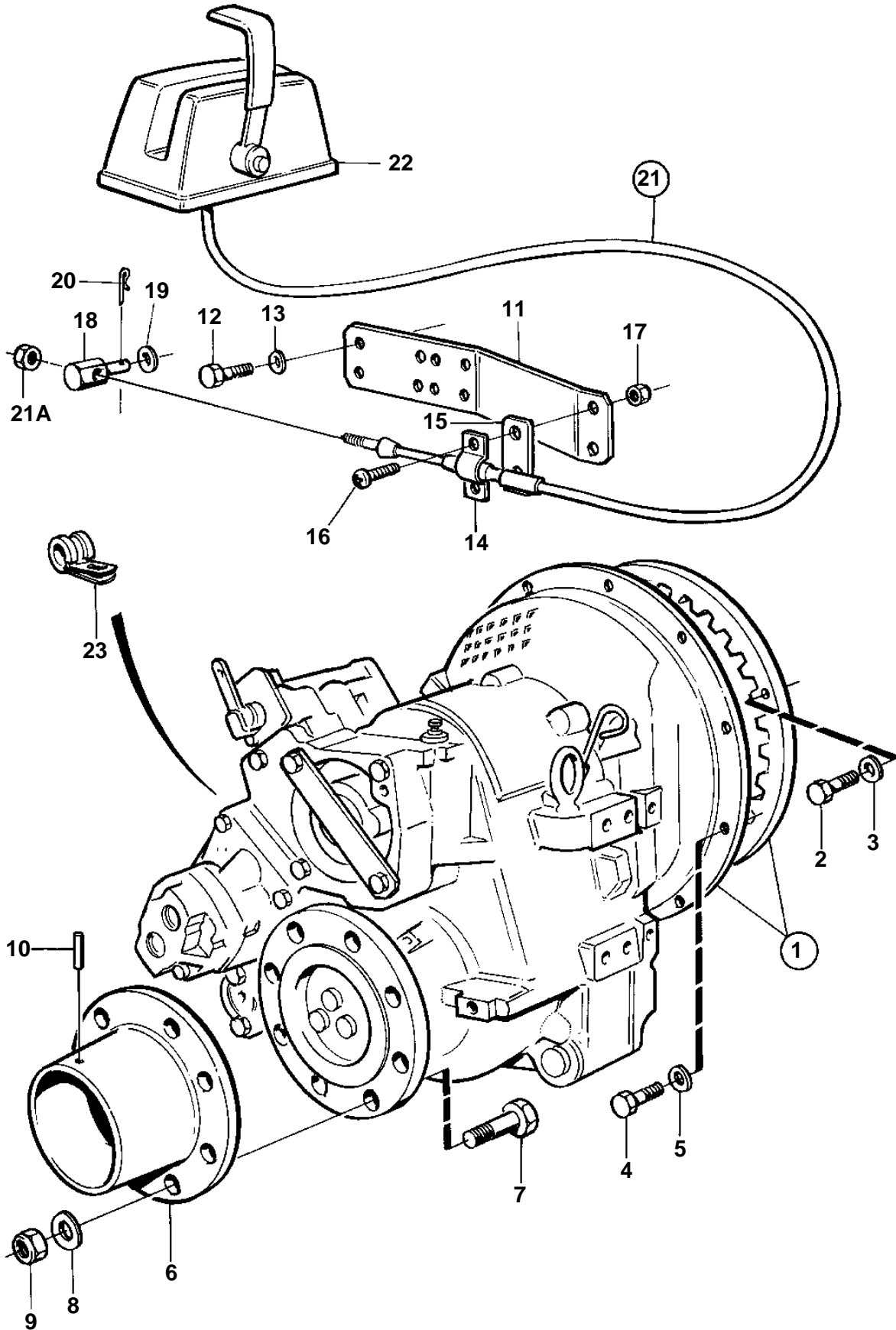


TAMD103A-A



15495

TAMD103A-A

REF	PART NO.	QTY	DESCRIPTION		NOTES
1		1	Reversing gear	NS	RATIO 3.28:1
		1	Reversing gear	NS	RATIO 3.43:1
		1	Reversing gear	NS	RATIO 4.17:1
		1	Reversing gear	NS	RATIO 4.59:1
		1	Reversing gear	NS	RATIO 4.86:1
			Comps. not spec.		
2	955560	8	Screw		
3	940280	8	Spring washer		
4	940160	10	Screw		L=38mm
	940116	2	Screw		L=25mm
5	941909	12	Spring washer		
6	844765	1	Clutch flange	SO	
7	955764	8	Screw	SO	
8		8	Washer		
9	950380	8	Lock nut	SO	
10	965011	2	Pin		
11	863123	1	Bracket		
12	955524	2	Screw		
13	941907	2	Spring washer		
14	819067	1	Brace		For control cable type 333.
	6853782	1	Clamp		For control cable type 443.
15	819068	1	Washer		
16	956079	2	Screw		
17	963104	2	Nut		
18	853217	1	Cube		
19	940191	1	Washer		
20	907824	1	Cotter pin		
21		X	Control cable		SEE GROUP 27
21A		1	· Nut		
22		X	Control		SEE GROUP 27
23	946834	1	Clamp		For cable, oil pressure sensor.