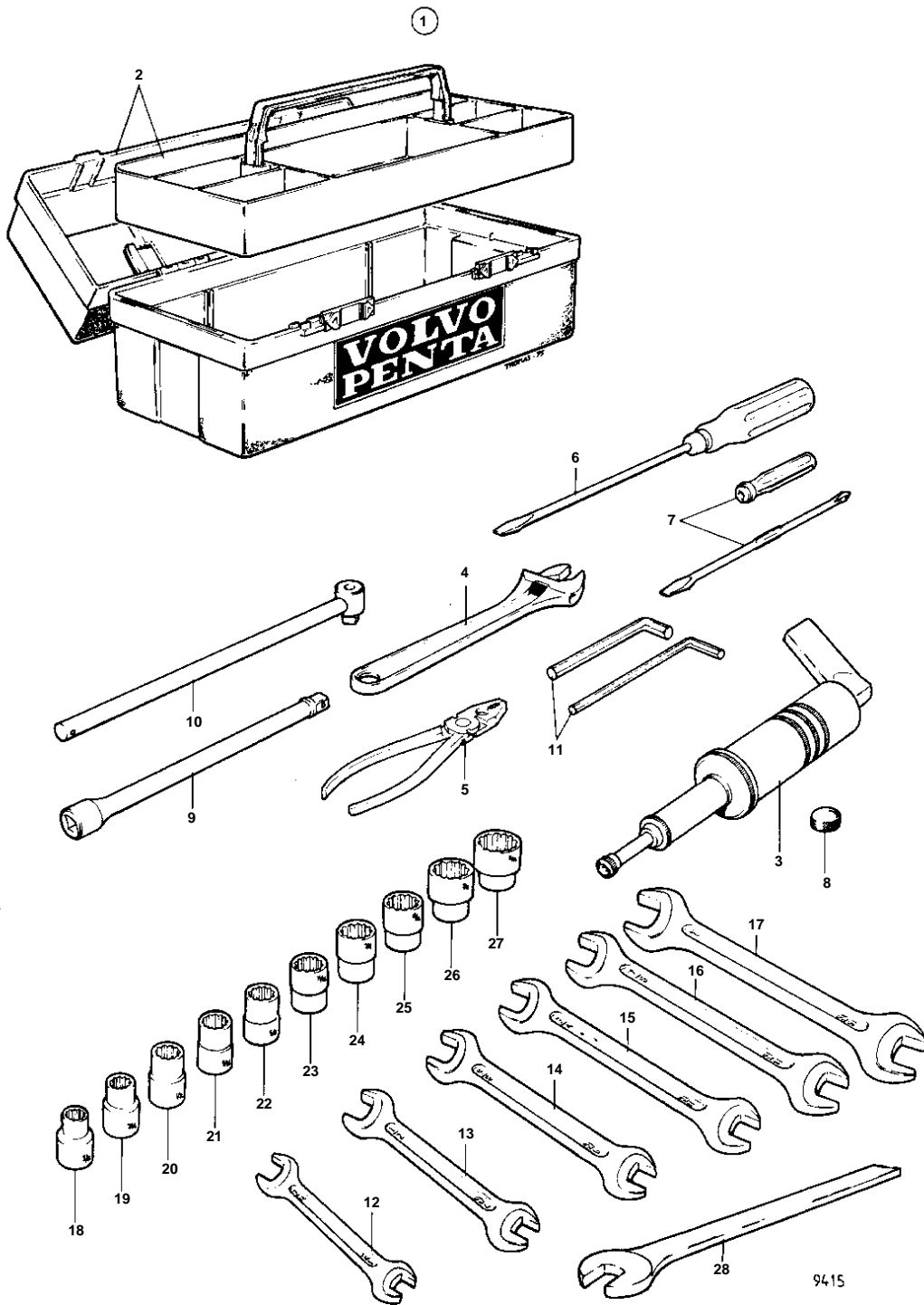


TAMD103A-A



TAMD103A-A

REF	PART NO.	QTY	DESCRIPTION	NOTES
1	844481	1	Tool kit	
2	842021	1	· Tool box	
3		1	· Grease gun	
4	755	1	· Adjustable wrench	30mm
		1	· Adjustable wrench	19mm
5		1	· Pliers	
6	804771	1	· Screwdriver	L=300mm
7		1	· Screwdriver	
8	811	12	· Protective cap	
9		1	· Extension bar	
10		1	· Handle	
11	946804	1	· Allen wrench	5/16"
	914675	1	· Allen wrench	1/4"
12		1	· Key	3/8"-7/16"
13		1	· Key	7/16"-1/2"
14		1	· Key	9/16"-5/8"
15		1	· Key	13/16"-7/8"
16		1	· Key	11/16"-3/4"
17		1	· Key	15/16"-1"
18		1	· Sleeve	3/8"
19		1	· Sleeve	7/16"
20		1	· Sleeve	1/2"
21		1	· Sleeve	9/16"
22		1	· Sleeve	5/8"
23		1	· Sleeve	11/16"
24		1	· Sleeve	3/4"
25		1	· Sleeve	13/16"
26		1	· Sleeve	7/8"
27		1	· Sleeve	15/16"
28		1	· Open-end wrench	41mm