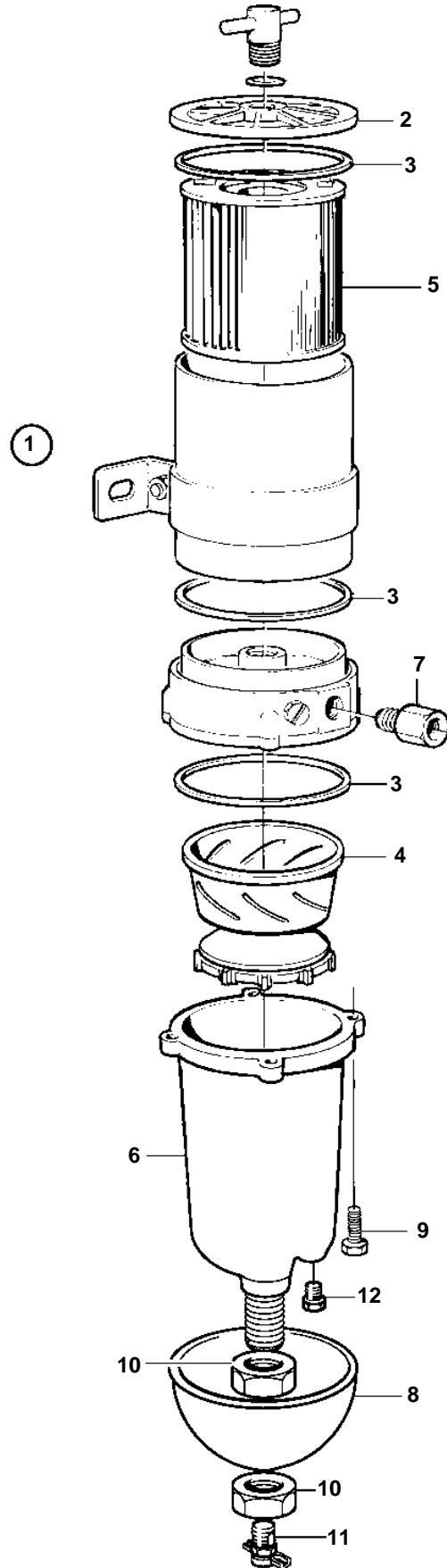


TAMD103A-A



17172

TAMD103A-A

REF	PART NO.	QTY	DESCRIPTION	SEE SEC.	NOTES
1	3825021	1	Fuel cleaner		LATE TYPE. RINA approved.
			Bulletin 50-10	50-10-EN	Changes in Fuel Filter Program due to Legislation
2	838505	1	· O-ring		
3	846719	3	· Gasket		
4	3825028	1	· Turbine		
5	3825027	1	· Filter insert		
6	3825030	1	· Bowl		Transparent Bowl.
7	846620	2	· Nipple		
8		1	· Heat shield		
9	940094	4	· Screw		
10	861459	2	· Nut		
11	861458	1	· Tap		
12		1	· Plug		