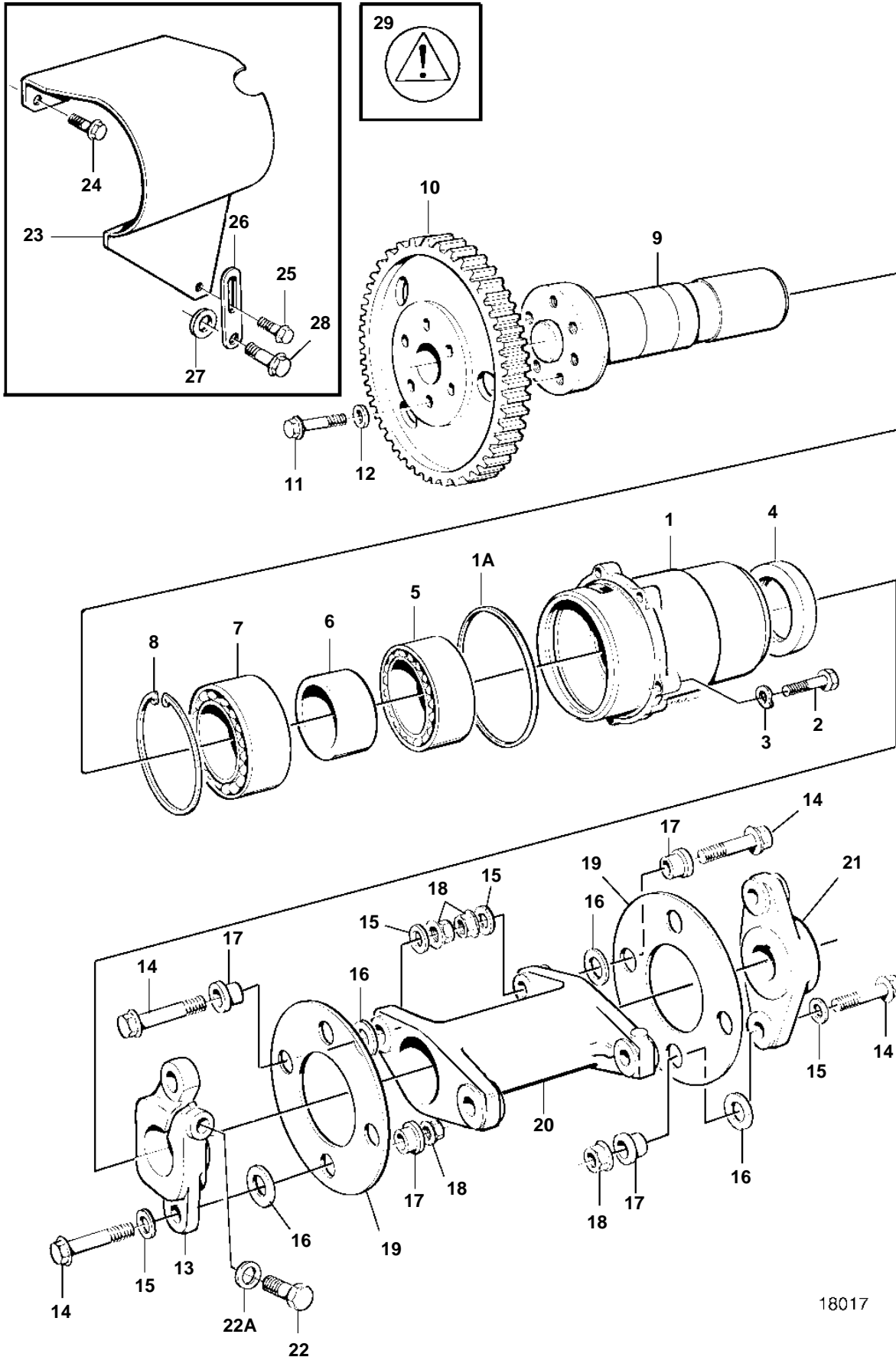


TAMD103A-A



TAMD103A-A

REF	PART NO.	QTY	DESCRIPTION		NOTES
1	478799	1	Bearing housing		
1A	423123	1	Sealing ring		
2	940159	5	Screw		
3	941907	5	Spring washer		
4	1546221	1	Sealing ring		
5	11014	1	Ball bearing		
6	1546132	1	Stop ring		
7	184788	1	Ball bearing		
8	914540	1	Lock ring		
9	478411	1	Axle shaft	SO	
10	478429	1	Gear, nitrocarburized		
11	471534	6	Screw		
12	942385	6	Disc spring		
13	471383	1	Companion flange		
14	946470	8	Flange screw		
15	976944	8	Washer		
16	479460	8	Washer		
17	478896	8	Sleeve		
18	945408	8	Flange nut		
19	479459	8	Dog clutch disc		
20	471367	1	Intermediate section		
21	471312	1	Companion flange		
22	1556285	1	Screw		
22A	976945	1	Washer		
23	866075	1	Pump coupling guard		
24	967949	1	Screw		
25	946544	1	Flange screw		
26	849138	1	Bracket		
27	955900	1	Washer		
28		1	Screwengine bracket		
29	3827294	1	Decal		"WARNING". To be placed on the pump companion guard.