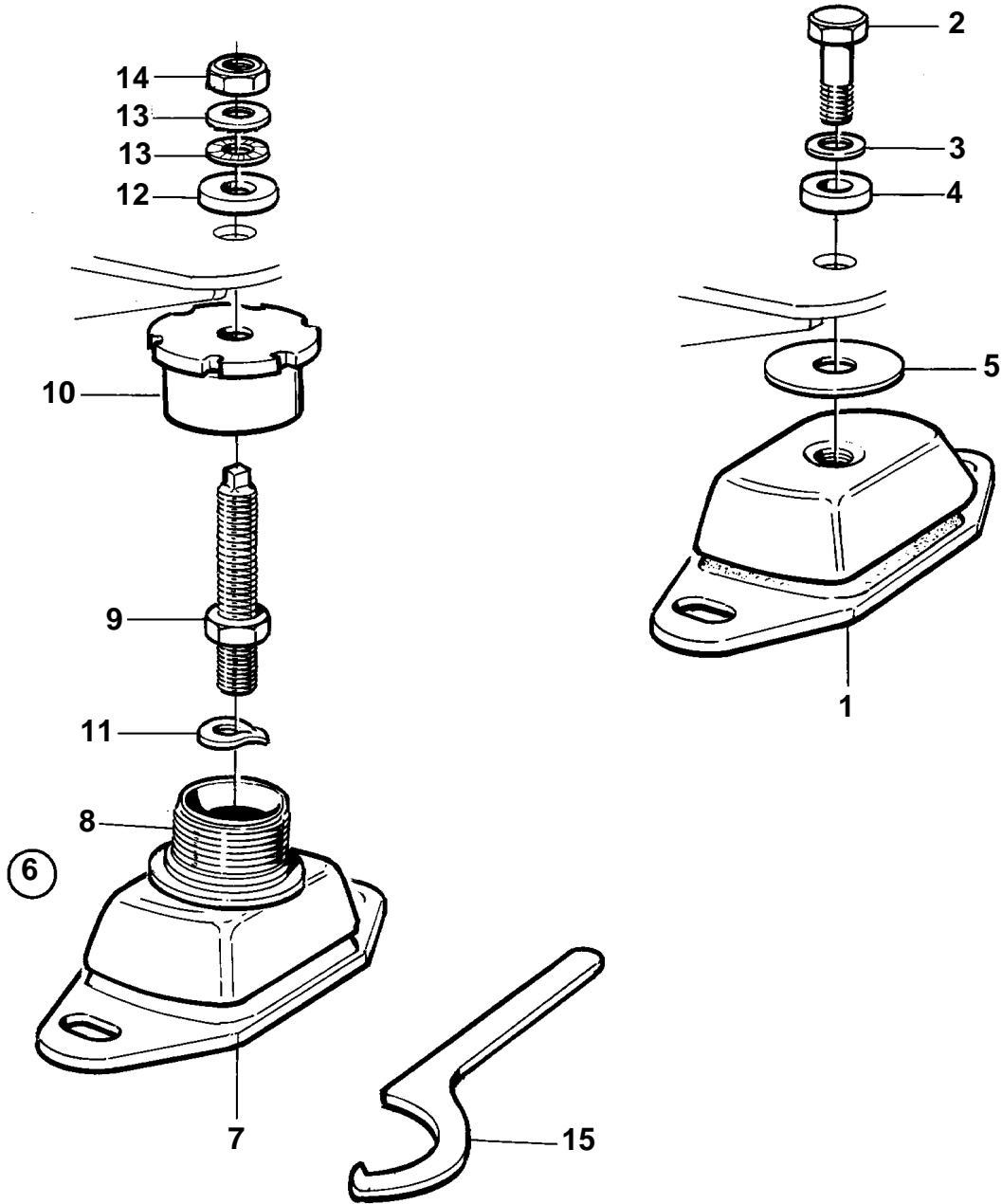


TAMD103A-A



15219

TAMD103A-A

REF	PART NO.	QTY	DESCRIPTION	NOTES
1	862348	4	Rubber element	For engine with MG5111A and MG5091 (2,95:1).
2	955390	4	Screw	
3	941914	4	Spring washer	
4	863273	4	Washer	
5	849953	X	Spacer	TH=0,5mm
	849954	X	Spacer	TH = 1,0mm
	849955	X	Spacer	TH=3,0mm
6	876258	4	Rubber element kit	For engine with IRM310A.
7	862348	4	· Rubber element	
8	863872	4	· Adjusting sleeve	
9	847749	4	· Adjuster screw	
10	863873	4	· Adjusting sleeve	
11	941914	4	· Spring washer	
12	955903	4	Washer	
13	847766	8	Lock washer	
14	955786	4	Nut	
15	885017	1	Hook spanner	